



FALCON
window systems

ACCESSORIES
DOORS AND WINDOWS

 /falconprofil

 /falconprofile

 @falconprofil

www.falconprofil.com



Door and Window Hardware

- Aluminium Accessories
- PVC Accessories
- Facade Cladding Accessories
- Door Handles

Aluminium Aksesuarlar
PVC Aksesuarlar
Giydirme Cephe Aksesuarları
Kapı Kolları

Accessoires Aluminium
Accessoires Fassade
Accessoires PVC
Poignée Portes

Алюминиевые Аксессуары / ПВХ
Аксессуары
Фасадные Аксессуары
Дверные Ручки

اكسسوارات الألمنيوم
اكسسوارات الواجهة
اكسسوارات البيفيسي
مقابض الأبواب و النافذة



Profile

- PVC Profiles Door and Windows systems
- Aluminium Profiles

PVC Profiler
Kapı ve Pencere Sistemleri
Alüminyum Profiller

Profiles PVC
Systemes
Fenêtres Profiles Aluminium

ПВХ профили дверные и оконные системы
Алюминиевые профили

بروفيل البيفيسي
بروفيل الألمنيوم
نظام النوافذ



Machine

- Aluminium and PVC Window & Door Processing Machines and Glass Machinery

Pvc İşleme Makinaları
Alüminyum İşleme Makinaları
Cam İşleme Makinaları

Machine Pour
Muniserie PVC et
Menuiserie Aluminium

Оборудование Для
Алюминиевых И Пвх
Профилей, Для Резки
Обработки И Очистки Стекла

ماكينات الأبواب والنوافذ
المصنوعة بروفيل البيفيسي
والخشب والألومنيوم
والمعلق بمعالجة الزجاج



FALCON

window systems

Falcon windows systems is built on the foundation of quality and customer service excellence. Our company produce brand and quality profile systems made out of PVC, with door and window fittings and accessories. By combining strong development capabilities with decentralized sales and service excellence, we have become one of the top providers in domestic and abroad markets. Our strong belief is that quality is the only sustainable, both for us and our customers

 /falconsystems

 /falconsystems

 @falconsystems

Electrostatic Powder Coating Colors

Ral 9016

Ral 8003

Ral 8017

Ral 1019

Ral 7016

Ral 8022

Ral 9005

Ral 1013

Anodized Colors

EF 01 - Silver

EF 02 - Yellow

EF 03 - Gold

EF 04 - Brown

EF 06 - Mat Silver

EF 09 - Titan

FALCON
window systems



CONTENTS

EN	TR	FR	RU	AR
4	ARM GROUPS	KOL GRUPLARI	Poignées Fenêtres	فئات مقابض
5	• Window Handles	• Pencere Kolları	• Poignée Fenetre	• مقابض النافذة
11	• Sliding Door Handles	• Sürgülü Kapı Kolları	• Poignées Coulissant	• مقابض الأبواب المنزلقة
12	• Door Handles	• Kapı Kolları	• Poignée Portes	• مقابض الأبواب
14	• Door Handles with Rosettes	• Rozetli Kapı Kolları	• Poignée Porte Avec Rosette	• مقابض الأبواب مع روزيت
15	• Balcony Door Handles	• Balkon Kolları	• Poigner Portes	• مقابض الباب
16	• Shutter Handles	• Kepek Kolları	• Poigner Portes	• مقابض مصراع
17	• Office Handles	• Ofis Kapı Kolları	• Poigner Bureau	• مقابض مكتب
18	• Pull Handles	• Çekme Kolları	• Poignée Tirette	• مقابض السحاب
20	ESPAGNOLETTES	İSPANYOLETLER	ESPAGNOLETTES	مزلاج
21	• Double Opening Espagnolettes	• Çift Açılım İspanyoletler	• System Double Ouverture	• افتتاح مزدوج
24	• Single Opening Espagnolettes	• Tek Açılım İspanyoletler	• Kitte System Double Ouverture a 1 Venteile	• افتتاح واحد
26	• Transom Applications	• Vasistas Uygulamaları	• System d Inclinison	• مقص نافذة مشبكة
27	• Espagnolettes	• İspanyoletler	• Cremon	• اسبليونة أنظمة
30	LOCKS	KİLİTLER	SERIEURES	أقفال
31	• Espagnolettes With Lock For	• Kilitli Kapı İspanyoletleri	• Cremonne serieur	• مزلاج مع قفل للأبواب
34	• Door Locks	• Kapı Kilitleri	• serieur	• أقفال الأبواب
42	HINGES	MENTEŞELER	Charnière	مفصلات
43	• Hinges	• Tek Açılım Menteşeler	• Pommes Fenêtres	• مفصلات النوافذ
44	• 3D Hinges	• 3D Menteşeler	• Pommes Portes Reglable	• مفصلات الباب 3D
45	HARDWARE PARTS	DONANIM PARÇALARI	Autres Accessoires	مستلزمات الابواب والنوافذ
46	• Sliding Bearings	• Sürme Rulmanlar	• Roulettes Coulissantes	• عجلات الانزلاق
47	• Mullion Connector Ties	• Zamak Orta Kayıt Bağlantı Takozları	• Joint Mecanique	• مثبتات الربط T
48	• Espagnolette Receivers	• Zamak İspanyolet Karşılıkları	• Gaches De Fermetures	• مثبتات مزلاج اسبليونة
49	• Vasistas Tilts	• Vasistas Makaslar	• Compa	• مقص نافذة مشبكة
50	• Lock Strikes	• Kilit Karşılıkları	• Reglage Porte	• مثبتات الأقفال لوجه الباب
52	• Door and Window Slides	• Kapı ve Kepek Sürgüleri	• Verrou	• الشرائح الباب والنافذة
54	VARIOUS ACCESSORIES	ÇEŞİTLİ AKSESUARLAR	AUTRES ACCESSOIRES	ملحقات مختلفة
55	• Lock Cylinders	• Kilit Bareller	• Canon de Condanation	• اسطوانات قفل
56	• Screws	• Vidalar	• Groupe de Visse	• مسامير
58	• Safety Locky	• Emniyet Kilidi	• Loquetaux Reglable	• قفل أمان
59	INSULATION FILLERS and ADHESIVES	İZOLASYON, DOLGU ve YAPIŞTIRICILAR	FILLERS ET ADHÉSIFS ISOLANTS	حشوات العزل والمواد اللاصقة
60	• Sealant and Adhesives	• Mastik ve Yapıştırıcıları	• Silicone Mastick	• العزلة ، والمواد اللاصقة ، تسرب
64	• Glass Spacer Bars	• Isı Cam Malzemeleri	• Barres D'espacement en Verre	• اكرليك مصتيك
65	• Glass Spacer Bars	• Isı Cam Çıtalari	• Intercalaire Pour Oouble Vitrage	• مواد زجاجية مزدوجة
66	• Various Accessories	• Çeşitli Aksesuarlar	• Autres Accessoires	• ملحقات مختلفة
68	MACHINE	MAKİNA	MACHINES	ماكينة
	Aluminium and PVC Window & Door Processing Machines and Glass Machinery	PVC İşleme Makinaları Alüminyum İşleme Makinaları Cam İşleme Makinaları	Machine Pour Menuiserie PVC et Menuiserie Aluminium	ماكينات الأبواب والنوافذ المصنوعة من الألومنيوم والخشب والألمنيوم والمتعلق بمعالجة الزجاج والتعليق بمعالجة الزجاج



FALCON
window systems

HANDLES GROUPS

EN

ARM GROUPS

- Window Handles
- Sliding Door Handles
- Door Handles
- Door Handles with Rosettes
- Balcony Door Handles
- Shutter Handles
- Office Handles
- Pull Handles

TR

KOL GRUPLARI

- Pencere Kolları
- Sürgülü Kapı Kolları
- Kapı Kolları
- Rozetli Kapı Kolları
- Balkon Kolları
- Kepek Kolları
- Ofis Kapı Kolları
- Çekme Kollar

FR

Poignées Fenêtres

- Poignée Fenetre
- Poignées Coulissant
- Poignée Portes
- Poignée Porte Avec Rosette
- Poigner Portes
- Poigner Portes
- Poigner Bureau
- Poignée Tirette

RU

ГРУППА РУЧЕК

- Оконные Ручки
- Раздвижные Дверные Ручки
- Дверные Ручки
- Дверные Ручки с Розетками
- Балконные Дверные Ручки
- Ручки с затвором
- Офисные Ручки Деревянные
- Тяговые Ручки

AR

فئات مقابض

- مقابض النافذة
- مقابض الأبواب المنزلقة
- مقابض الأبواب
- مقابض الأبواب مع روزيت
- مقابض الباب
- مقابض مصراع
- مقابض مكتب
- مقابض السحاب

ROTAX Rota**Product code : WHL 0101****Product acoustic code : WHL 0101 AC**

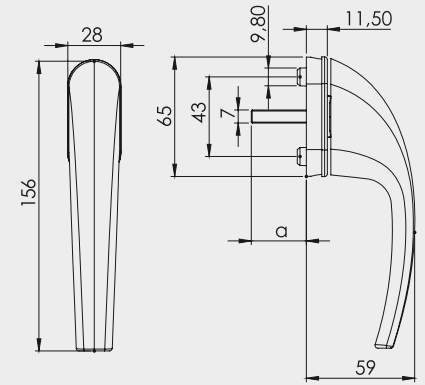
SCR Lenght	SQU Lenght (a)	Locking Pos	Quantity
	35		
40	38	45	40 Pcs
45	40	90	
	45		

Acoustic Feature Option

Color Option

Ral	9016	8003	8017	1019	7016	8022	9005	1013

Anodized	EF 01	EF 02	EF 03	EF 04	EF 06	EF 09

**ROTAX Bati****Product code : WHL 0201****Product acoustic code : WHL 0201 AC**

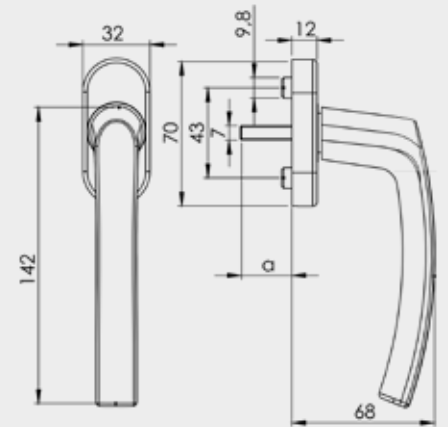
SCR Lenght	SQU Lenght (a)	Locking Pos	Quantity
	35		
40	38	45	40 Pcs
45	40	90	
	45		

Acoustic Feature Option

Color Option

Ral	9016	8003	8017	1019	7016	8022	9005	1013

Anodized	EF 01	EF 02	EF 03	EF 04	EF 06	EF 09

**ROTAX FALCON****Product code : WHL 0301****Product acoustic code : WHL 0301 AC**

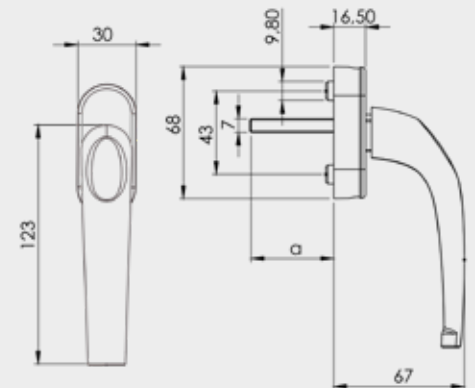
SCR Lenght	SQU Lenght (a)	Locking Pos	Quantity
	35		
40	38	45	100 Pcs
45	40	90	
	45		

Acoustic Feature Option

Color Option

Ral	9016	8003	8017	1019	7016	8022	9005	1013

Anodized	EF 01	EF 02	EF 03	EF 04	EF 06	EF 09



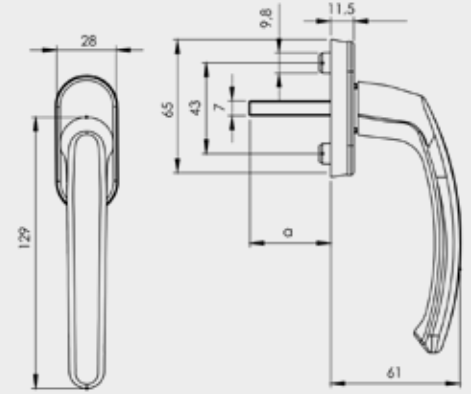
ROTAX Bahar

Product code : WHL 0401

SCR Lenght	SQU Lenght (a)	Locking Pos	Quantity
	35		
40	38	45	50 Pcs
45	40	90	
	45		

Color Option


Ral	9016	8003	8017	1019	7016	8022	9005	1013
								

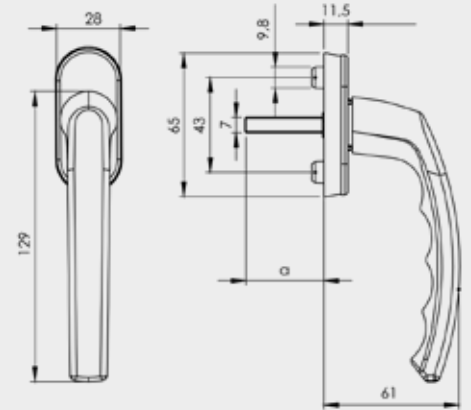
**ROTAX Bahar Finger**

Product code : WHL 0402

SCR Lenght	SQU Lenght (a)	Locking Pos	Quantity
	35		
40	38	45	50 Pcs
45	40	90	
	45		

Color Option


Ral	9016	8003	8017	1019	7016	8022	9005	1013
								

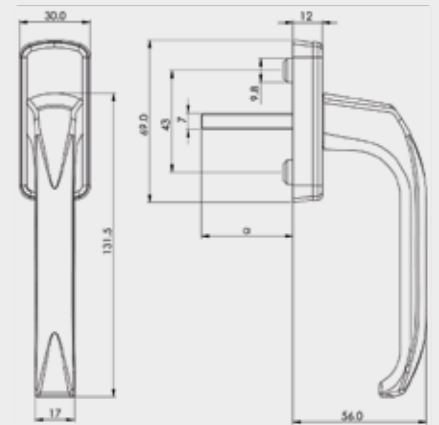
**ROTAX Deniz**

Product code : WHL 0501

SCR Lenght	SQU Lenght (a)	Locking Pos	Quantity
	35		
40	38	45	50 Pcs
45	40	90	
	45		

Color Option

Ral	9016	8003	8017	1019	7016	8022	9005	1013
								

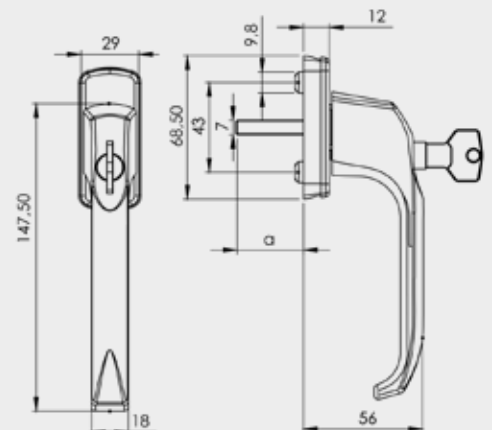
**ROTAX Deniz Lockable**

Product code : WHL 0502

SCR Lenght	SQU Lenght (a)	Locking Pos	Quantity
	35		
40	38	45	50 Pcs
45	40	90	
	45		

Color Option

Ral	9016	8003	8017	1019	7016	8022	9005	1013
								



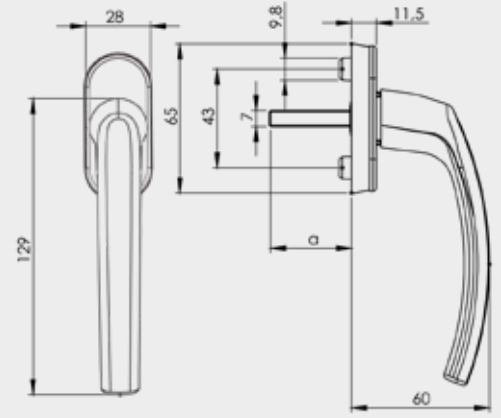
ROTAX Oval FilizProduct code : **WHL 0601**Product acoustic code : **WHL 0601 AC**

SCR Lenght	SQU Lenght (a)	Locking Pos	Quantity
	35		
40	38	45	50 Pcs
45	40	90	
	45		

Color Option

Ral : 9016 8003 8017 1019 7016 8022 9005 1013

Anodized : EF 01 EF 02 EF 03 EF 04 EF 06 EF 09

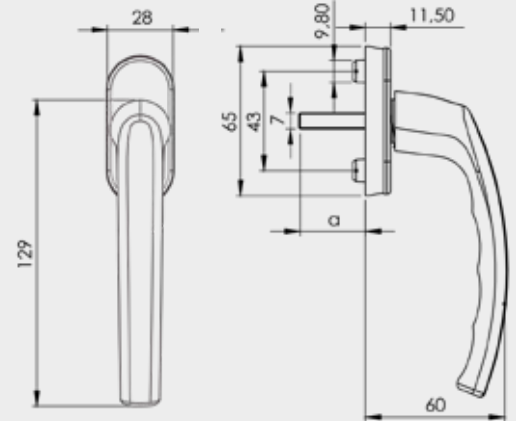
**ROTAX Oval Filiz Finger**Product code : **WHL 0602**Product acoustic code : **WHL 0602 AC**

SCR Lenght	SQU Lenght (a)	Locking Pos	Quantity
	35		
40	38	45	50 Pcs
45	40	90	
	45		

Color Option

Ral : 9016 8003 8017 1019 7016 8022 9005 1013

Anodized : EF 01 EF 02 EF 03 EF 04 EF 06 EF 09

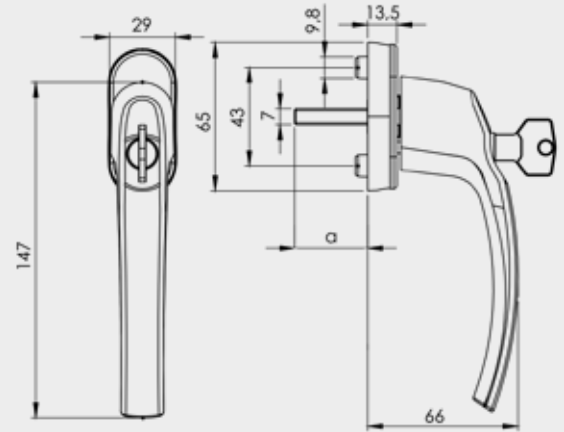
**ROTAX Oval Filiz Lockable**Product code : **WHL 0603**

SCR Lenght	SQU Lenght (a)	Locking Pos	Quantity
	35		
40	38	45	50 Pcs
45	40	90	
	45		

Color Option

Ral : 9016 8003 8017 1019 7016 8022 9005 1013

Anodized : EF 01 EF 02 EF 03 EF 04 EF 06 EF 09

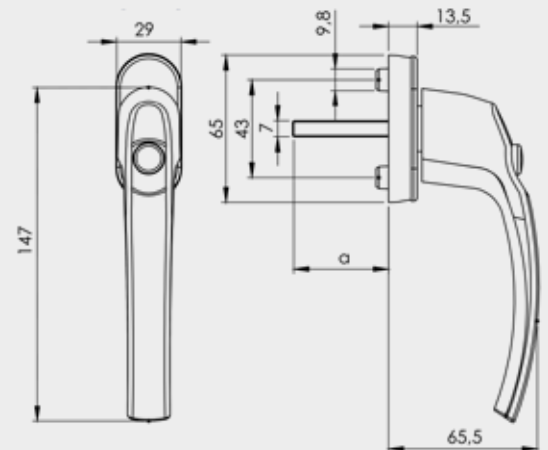
**ROTAX Oval Filiz With Button**Product code : **WHL 0604**

SCR Lenght	SQU Lenght (a)	Locking Pos	Quantity
	35		
40	38	45	50 Pcs
45	40	90	
	45		

Color Option

Ral : 9016 8003 8017 1019 7016 8022 9005 1013

Anodized : EF 01 EF 02 EF 03 EF 04 EF 06 EF 09



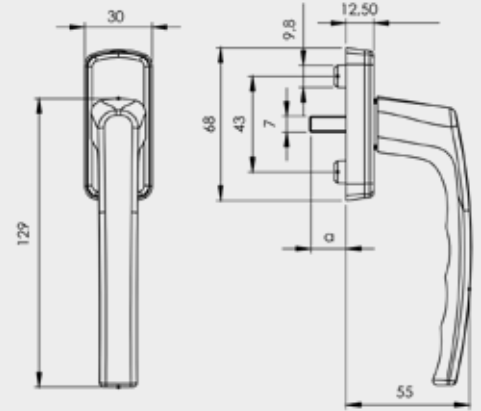
ROTAX Capri

Product code : **WHL 0701**

SCR Lenght	SQU Lenght (a)	Locking Pos	Quantity
	35		
40	38	45	50 Pcs
45	40	90	
	45		

Color Option

Ral	:	9016	8003	8017	1019	7016	8022	9005	1013
									



ROTAX Cranked

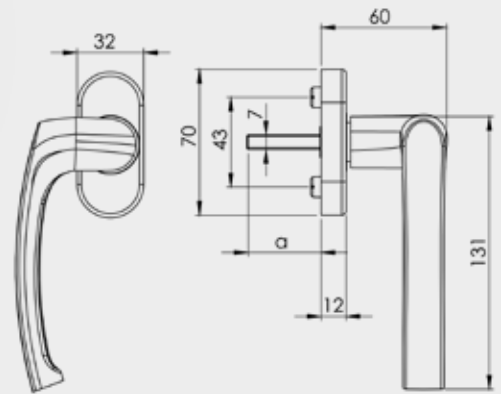
Product code : **WHL 0801**

SCR Lenght	SQU Lenght (a)	Locking Pos	Quantity
	35		
40	38	45	50 Pcs
45	40	90	
	45		

Color Option

Ral	:	9016	8003	8017	1019	7016	8022	9005	1013
									

Anodized :	EF 01	EF 02	EF 03	EF 04	EF 06	EF 09
						



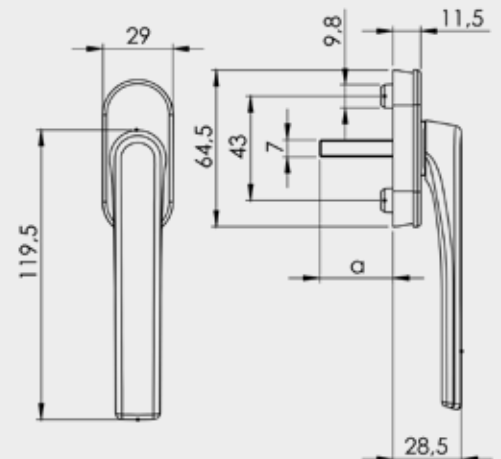
ROTAX Short Neck

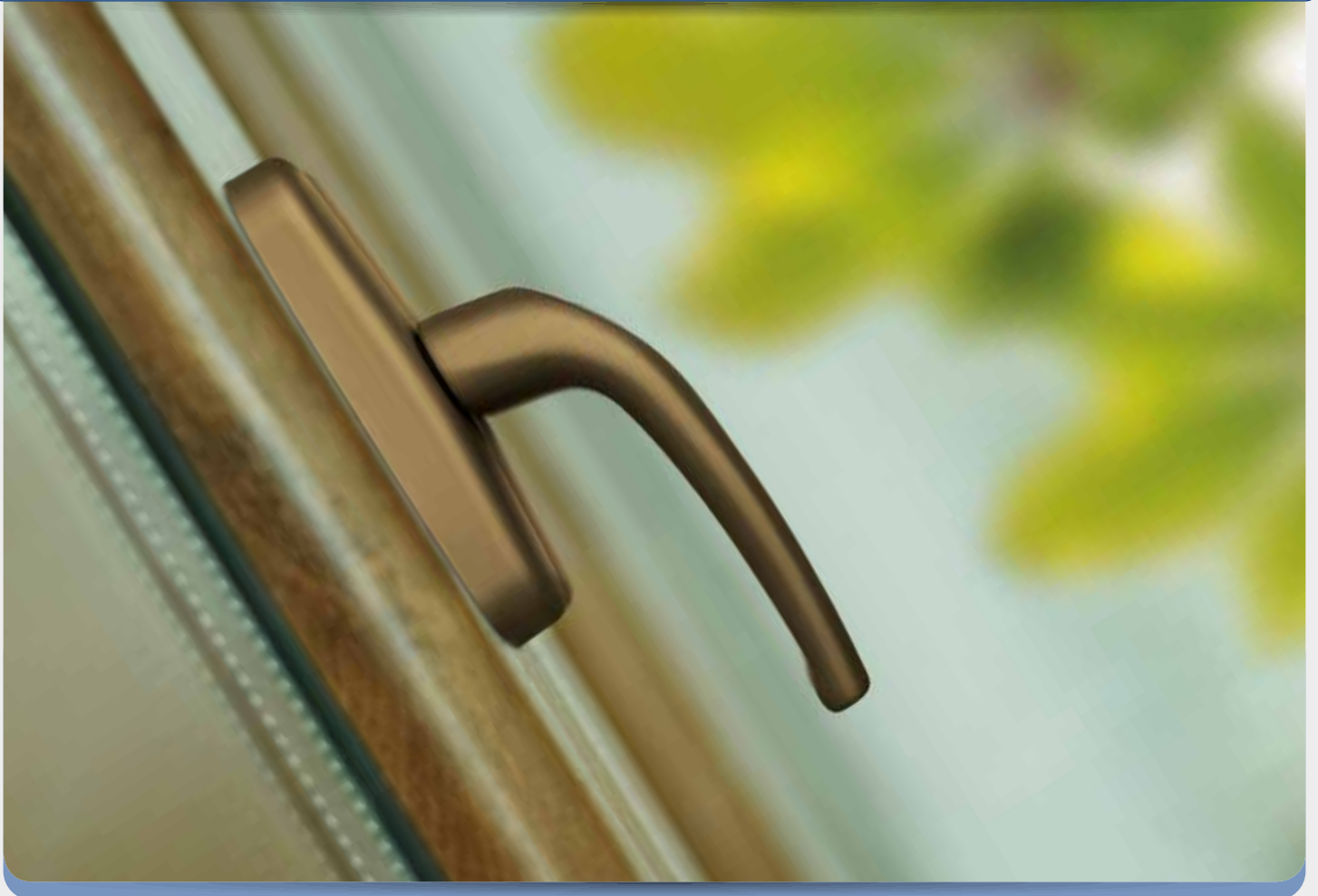
Product code : **WHL 0901**

SCR Lenght	SQU Lenght (a)	Locking Pos	Quantity
	35		
40	38	45	50 Pcs
45	40	90	
	45		

Color Option

Ral	:	9016	8003	8017	1019	7016	8022	9005	1013
									





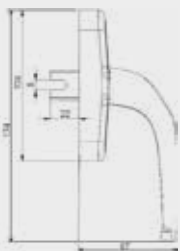
ROTAX FALCON

Quantity : 30 Pcs

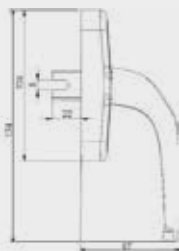
Color Option

Ral : 9016 8003 8017 1019 7016 8022 9005 1013

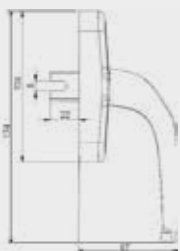
Anodized : EF 01 EF 02 EF 03 EF 04 EF 06 EF 09



Product code : **AHL 0101**



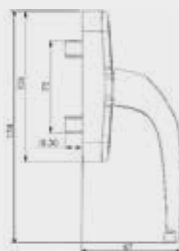
Product code : **AHL 0102**
Код Продукта



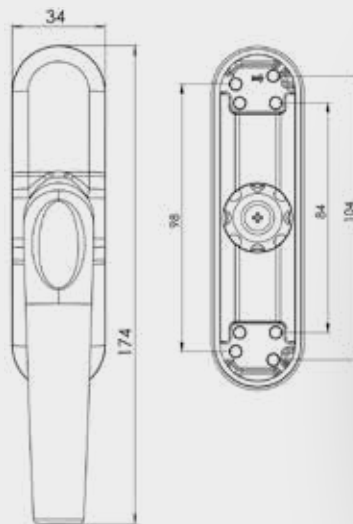
Product code : **AHL 0103**



Product code : **AHL 0104**



Product code : **AHL 0105**



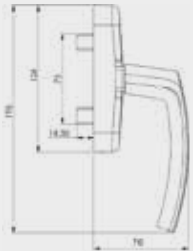
ROTAX **Bati**

Quantity : 30 Pcs

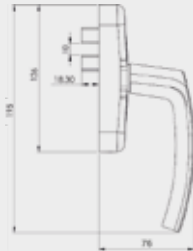
Color Option

Ral : 9016 8003 8017 1019 7016 8022 9005 1013

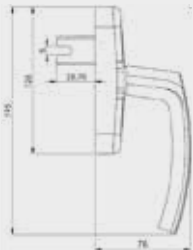
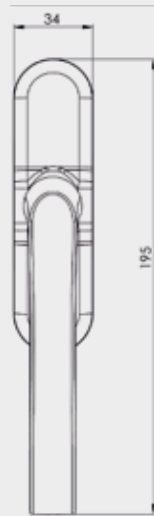
Anodized : EF 01 EF 02 EF 03 EF 04 EF 06 EF 09



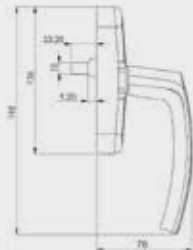
Product code : **AHL 0201**



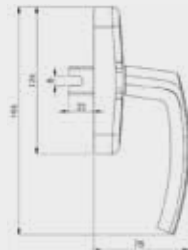
Product code : **AHL 0202**



Product code : **AHL 0203**



Product code : **AHL 0204**



Product code : **AHL 0205**

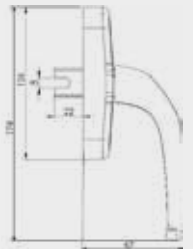
ROTAX **Cranked**

Quantity : 24 Pcs

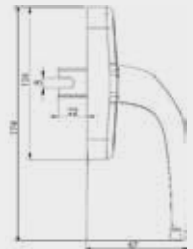
Color Option

Ral : 9016 8003 8017 1019 7016 8022 9005 1013

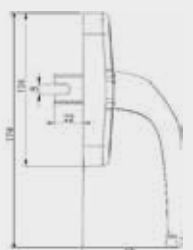
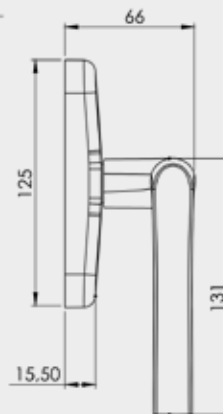
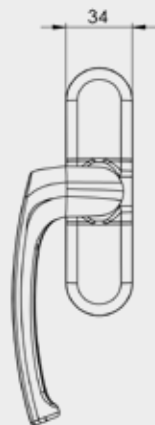
Anodized : EF 01 EF 02 EF 03 EF 04 EF 06 EF 09



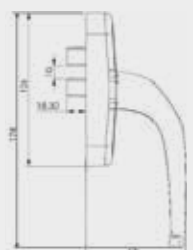
Product code : **AHL 0301**



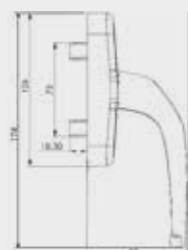
Product code : **AHL 0302**



Product code : **AHL 0303**



Product code : **AHL 0304**



Product code : **AHL 0305**

ROTAX **Bati**

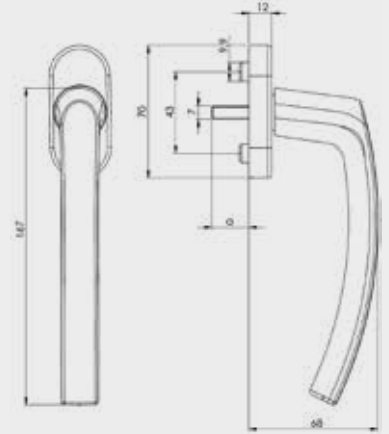
Product code : **SHL 01**

SCR Lenght	SQU Lenght (a)	Locking Pos	Quantity
40	38	45	40 Pcs
45	40	90	

Acoustic Feature Option

Color Option

Ral	9016	8003	8017	1019	7016	8022	9005	1013
Anodized	EF 01	EF 02	EF 03	EF 04	EF 06	EF 09		



ROTAX **Oval Filiz**

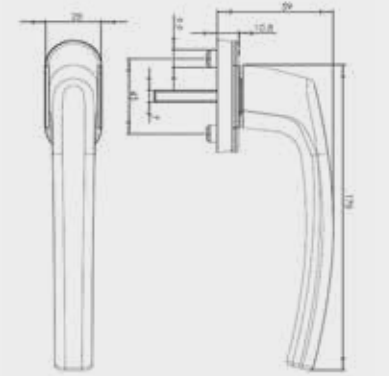
Product code : **SHL 02**

SCR Lenght	SQU Lenght (a)	Locking Pos	Quantity
40	38	45	40 Pcs
45	40	90	

Acoustic Feature Option

Color Option

Ral	9016	8003	8017	1019	7016	8022	9005	1013
Anodized	EF 01	EF 02	EF 03	EF 04	EF 06	EF 09		



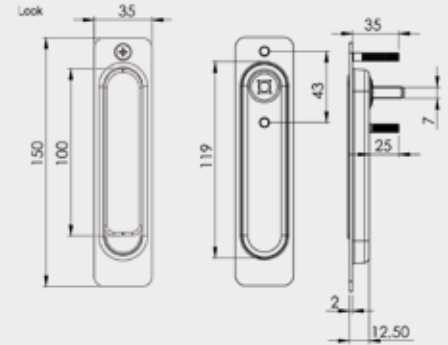
ROTAX **Pop Up Sliding Door Grip**

Product code : **SHL 03**

Quantity : 40 Pcs

Color Option

Ral	9016	8003	8017	1019	7016	8022	9005	1013
Anodized	EF 01	EF 02	EF 03	EF 04	EF 06	EF 09		



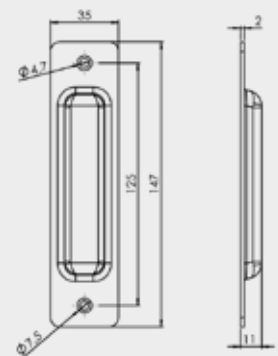
ROTAX **Sliding Door Grip**

Product code : **SHL 04**

Quantity : 40 Pcs

Color Option

Ral	9016	8003	8017	1019	7016	8022	9005	1013
Anodized	EF 01	EF 02	EF 03	EF 04	EF 06	EF 09		



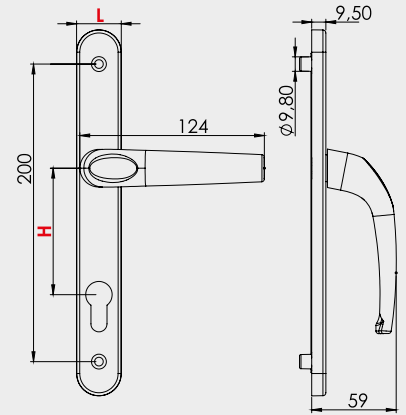
ROTAX FALCON / ФАЛКОН

Technical Information

L	RAL EF 25	RAL 28	RAL EF 30	RAL EF 35	EF 36
H	85	92			

Color Option

Ral	: 9016	8003	8017	1019	7016	8022	9005	1013
Anodized	: EF 01	EF 02	EF 03	EF 04	EF 06	EF 09		



Cylinder Sil

Product code : DHL 0101



Room Oda / Комната

Product code : DHL 0102



Wc Bmc

Product code : DHL 0103

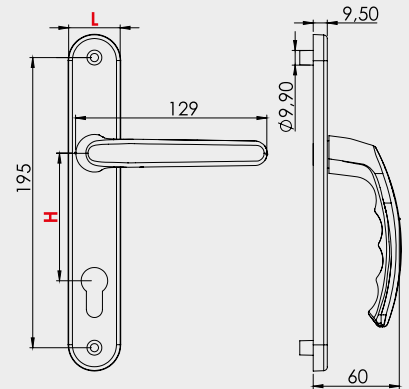
ROTAX Bahar

Technical Information

L	RAL EF 25	RAL 28	RAL EF 30	RAL EF 35	EF 36
H	85	92			

Color Option

Ral	: 9016	8003	8017	1019	7016	8022	9005	1013
-----	--------	------	------	------	------	------	------	------



Cylinder Sil

Product code : DHL 0201



Room Oda

Product code : DHL 0202



Wc Bmc

Product code : DHL 0203

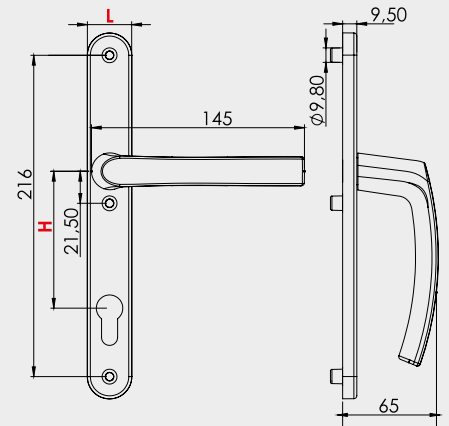
ROTAX Batı

Technical Information

L					EF 36
H	85	92			

Color Option

Ral	: 9016	8003	8017	1019	7016	8022	9005	1013
Anodized	: EF 01	EF 02	EF 03	EF 04	EF 06	EF 09		



Cylinder Sil

Product code : DHL 0301



Room Oda

Product code : DHL 0302



Wc Bmc

Product code : DHL 0303

ROTAX Oval Filiz

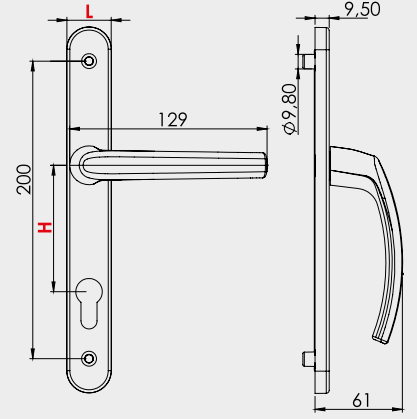
Technical Information

L	RAL EF 25	RAL 28	RAL EF 30	RAL EF 35	EF 36
H	85	92			

Color Option

Ral	: 9016	8003	8017	1019	7016	8022	9005	1013
-----	--------	------	------	------	------	------	------	------

Anodized	: EF 01	EF 02	EF 03	EF 04	EF 06	EF 09
----------	---------	-------	-------	-------	-------	-------



Cylinder Sil

Product code : DHL 0401



Room Oda

Product code : DHL 0402



Wc Bmc

Product code : DHL 0403

ROTAX Deniz

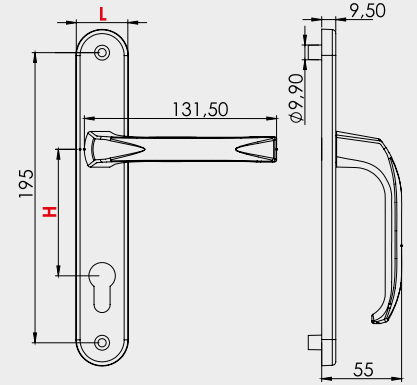
Technical Information

L	RAL EF 25	RAL 28	RAL EF 30	RAL EF 35	EF 36
H	85	92			

Color Option

Ral	: 9016	8003	8017	1019	7016	8022	9005	1013
-----	--------	------	------	------	------	------	------	------

Anodized	: EF 01	EF 02	EF 03	EF 04	EF 06	EF 09
----------	---------	-------	-------	-------	-------	-------



Cylinder Sil

Product code : DHL 0501



Room Oda

Product code : DHL 0502



Wc Bmc

Product code : DHL 0503

ROTAX Capri

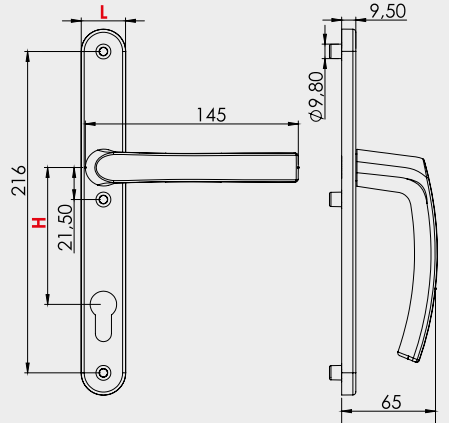
Technical Information

L	RAL EF 25	RAL 28	RAL EF 30	RAL EF 35	EF 36
H	85	92			

Color Option

Ral	: 9016	8003	8017	1019	7016	8022	9005	1013
-----	--------	------	------	------	------	------	------	------

Anodized	: EF 01	EF 02	EF 03	EF 04	EF 06	EF 09
----------	---------	-------	-------	-------	-------	-------



Cylinder Sil

Product code : DHL 0601



Room Oda

Product code : DHL 0602



Wc Bmc

Product code : DHL 0603

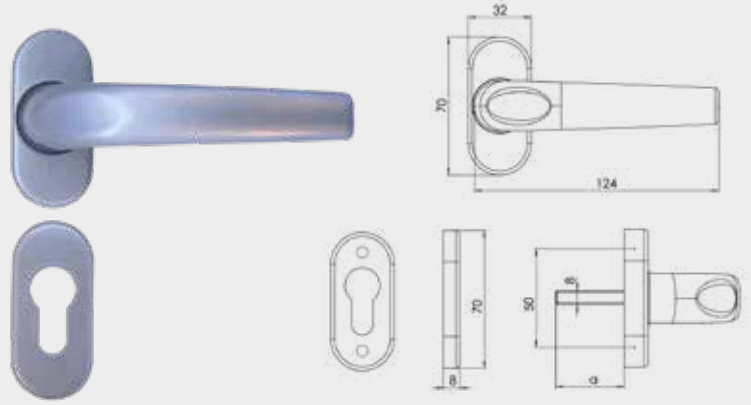
ROTAX FALCON - Acces Rosette

Product code : **RHL 01**

SQU Lenght (a)	Quantity
45	28 Pcs
90	

Color Option

Ral	: 9016	8003	8017	1019	7016	8022	9005	1013
Anodized	: EF 01	EF 02	EF 03	EF 04	EF 06	EF 09		



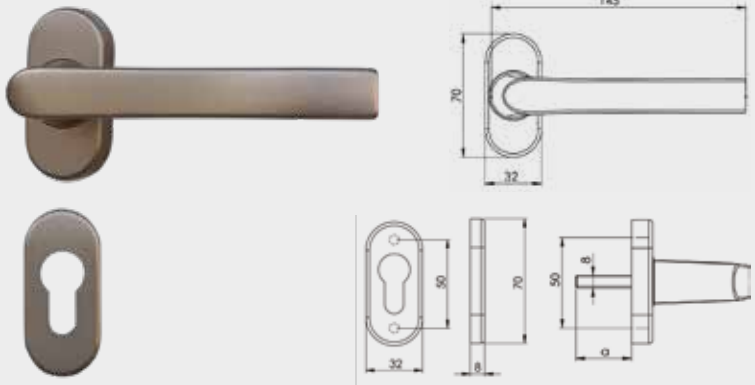
ROTAX Batı - Acces Rosette

Product code : **RHL 02**

SQU Lenght (a)	Quantity
45	28 Pcs
90	

Color Option

Ral	: 9016	8003	8017	1019	7016	8022	9005	1013
Anodized	: EF 01	EF 02	EF 03	EF 04	EF 06	EF 09		



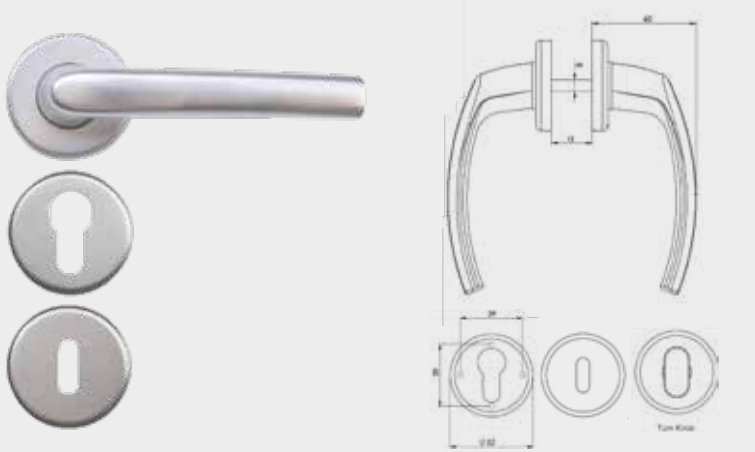
ROTAX Oval Filiz

Product code : **RHL 03**

SQU Lenght (a)	Quantity
45	15 Pcs
90	

Color Option

Ral	: 9016	8003	8017	1019	7016	8022	9005	1013
Anodized	: EF 01	EF 02	EF 03	EF 04	EF 06	EF 09		



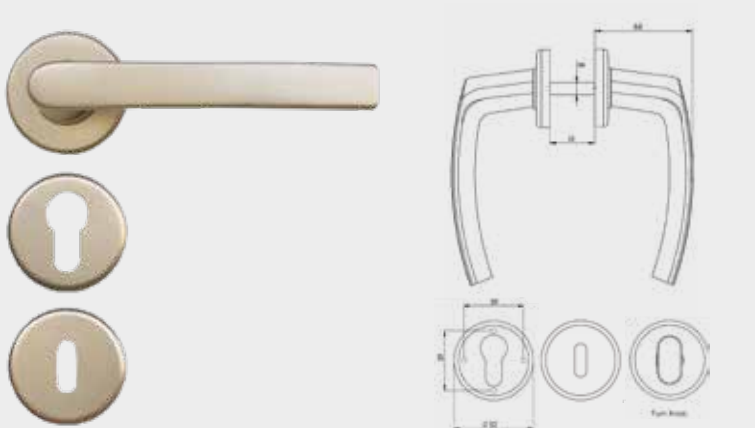
ROTAX Batı

Product code : **RHL 04**

SQU Lenght (a)	Quantity
80	15 Pcs
100	

Color Option

Ral	: 9016	8003	8017	1019	7016	8022	9005	1013
Anodized	: EF 01	EF 02	EF 03	EF 04	EF 06	EF 09		



ROTAX FALCON - Two side rozette

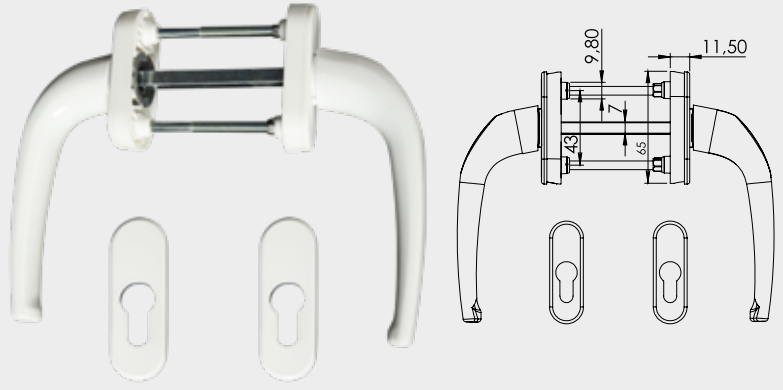
Product code : **BHL 01**

SCR Lenght	SQU Lenght (a)	Locking Pos	Quantity
75	105	90	35 Pcs
85	115		

Color Option

Ral	: 9016	8003	8017	1019	7016	8022	9005	1013
-----	--------	------	------	------	------	------	------	------

Anodized	: EF 01	EF 02	EF 03	EF 04	EF 06	EF 09
----------	---------	-------	-------	-------	-------	-------



ROTAX Oval Filiz - Two side rozette

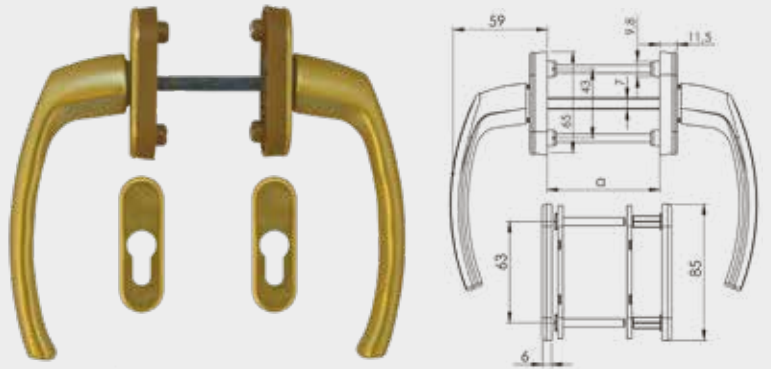
Product code : **BHL 0201**

SCR Lenght	SQU Lenght (a)	Locking Pos	Quantity
75	105	90	35 Pcs
85	115		

Color Option

Ral	: 9016	8003	8017	1019	7016	8022	9005	1013
-----	--------	------	------	------	------	------	------	------

Anodized	: EF 01	EF 02	EF 03	EF 04	EF 06	EF 09
----------	---------	-------	-------	-------	-------	-------



ROTAX Oval Filiz - Two side lockable

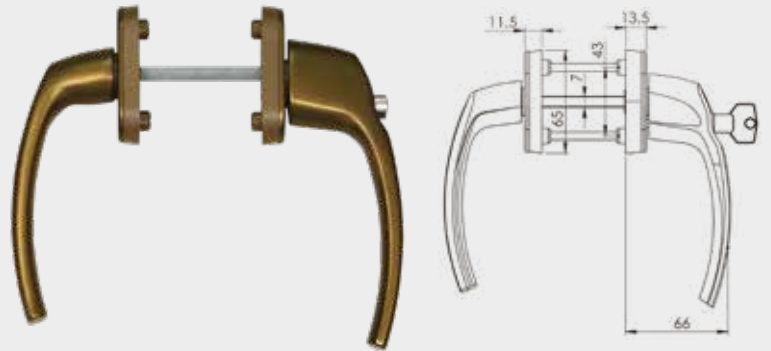
Product code : **BHL 0202**

SCR Lenght	SQU Lenght (a)	Locking Pos	Quantity
75	105	90	35 Pcs
85	115		

Color Option

Ral	: 9016	8003	8017	1019	7016	8022	9005	1013
-----	--------	------	------	------	------	------	------	------

Anodized	: EF 01	EF 02	EF 03	EF 04	EF 06	EF 09
----------	---------	-------	-------	-------	-------	-------



ROTAX Deniz - Two side lockable

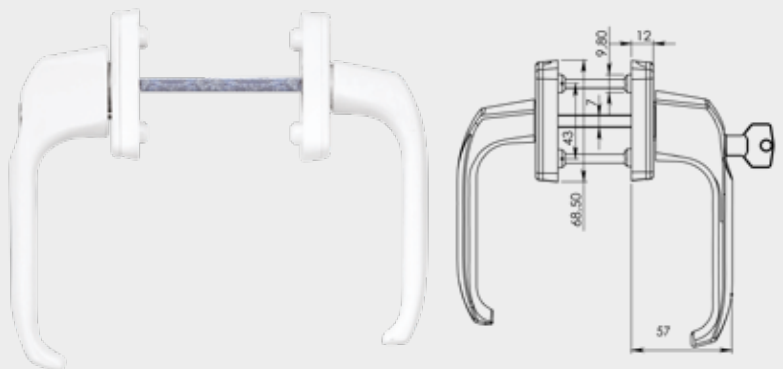
Product code : **BHL 03**

SCR Lenght	SQU Lenght (a)	Locking Pos	Quantity
75	105	90	35 Pcs
85	115		

Color Option

Ral	: 9016	8003	8017	1019	7016	8022	9005	1013
-----	--------	------	------	------	------	------	------	------

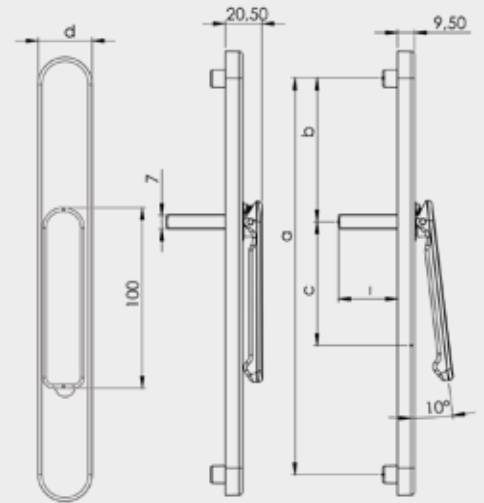
Anodized	: EF 01	EF 02	EF 03	EF 04	EF 06	EF 09
----------	---------	-------	-------	-------	-------	-------



ROTAX Spring Loaded Short Neck Handles

Product code : **SNH 01**

Screw Axis	Plate Width and Lock Axis	Quantity
195	25 - 70	10 Pcs
	28 - 85	
	35 - 85	
	35 - 85	
210	25 - 92	
	28 - 92	
216	35 - 92	



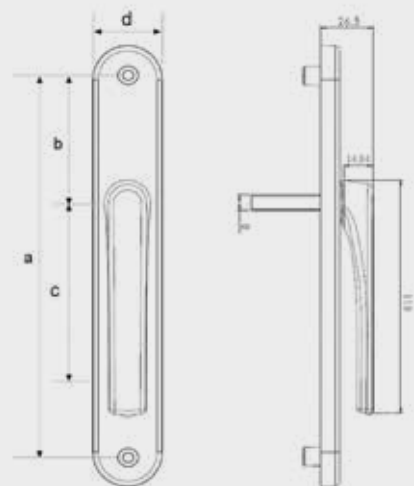
Color Option

Ral	: 9016	8003	8017	1019	7016	8022	9005	1013
Anodized	: EF 01	EF 02	EF 03	EF 04	EF 06	EF 09		

ROTAX Short Neck Handles

Product code : **SNH 02**

Screw Axis	Plate Width and Lock Axis	Quantity
195	25 - 70	25 Pcs
	28 - 85	
	35 - 85	
	35 - 85	
210	25 - 92	
	28 - 92	
216	35 - 92	

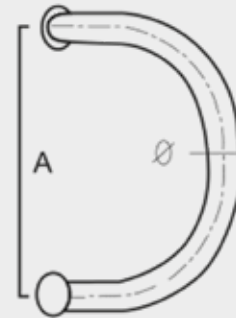


Color Option

Ral	: 9016	8003	8017	1019	7016	8022	9005	1013
-----	--------	------	------	------	------	------	------	------

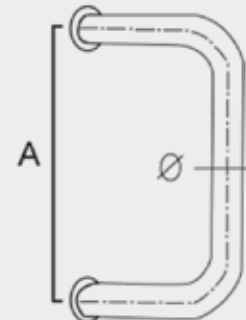
ROTAX Aluminium Half Moon Handles

Code	Q - A	Quantity
ODH 01	25 - 20	10
ODH 02	25 - 30	10
ODH 03	30 - 20	10
ODH 04	30 - 30	10



ROTAX Aluminium Pipe Pandles

Code	Q - A	Quantity
ODH 05	25 - 20	10
ODH 06	25 - 25	10
ODH 07	25 - 30	10
ODH 08	25 - 35	10
ODH 09	25 - 40	10
ODH 10	30 - 25	10
ODH 11	30 - 30	10
ODH 12	30 - 35	10
ODH 13	30 - 40	10



ROTAX Office Handle (Straight)

Product code : ODH 14

Pipe Diameter	Lenght	Quantity
25	250 (25)	6 Pcs
	300 (30)	
	350 (35)	
30	300 - 2000	

Color Option

Ral	9016	8003	8017	1019	7016	8022	9005	1013
Anodized	EF 01	EF 02	EF 03	EF 04	EF 06	EF 09		



ROTAX D Type Pull Handle

Screw Axis	Plate Width and Lock Axis	Quantity
195	25 - 85	25 Pcs
	28 - 85	
	35 - 85	
210	25 - 92	
	28 - 92	
216	35 - 92	

Color Option

Ral	9016	8003	8017	1019	7016	8022	9005	1013



Oval Filiz

Product code : PDL0 101



Bahar

Product code : PDL0 102



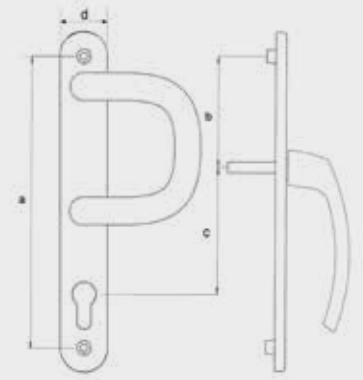
Deniz

Product code : PDL 0103



Capri

Product code : PDL 0104



ROTAX Y Type Pull Handle

Screw Axis	Plate Width and Lock Axis	Quantity
216	30 - 85	10 Pcs
	35 - 85	
	36 - 92	

Color Option

Ral	9016	8003	8017	1019	7016	8022	9005	1013
Anodized	EF 01	EF 02	EF 03	EF 04	EF 06	EF 09		



Oval Filiz

Product code : PDL 0201



Bahar

Product code : PDL 0202



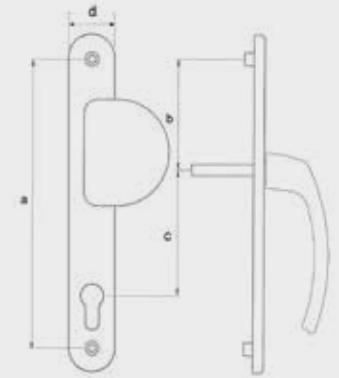
Deniz

Product code : PDL 0203



Capri

Product code : PDL 0204



ROTAX Pull Handle

Screw Axis	Plate Width and Lock Axis	Quantity
195	25 - 85	25 Pcs
	28 - 85	
	35 - 85	
210	25 - 92	
	28 - 92	
216	35 - 92	

Color Option

Ral	9016	8003	8017	1019	7016	8022	9005	1013



Oval Filiz

Product code : PDL 0301



Bahar

Product code : PDL 0302



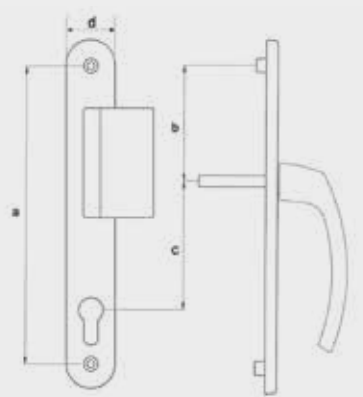
Deniz

Product code : PDL 0303



Capri

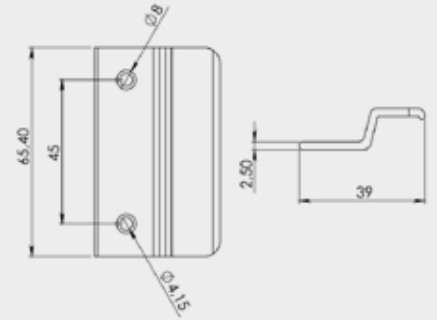
Product code : PDL 0304



ROTAX G Type Pull Handle

Product code : **PHL01**

Quantity : 100 Pcs



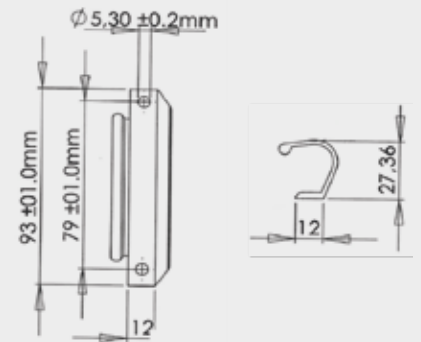
Color Option

Ral	: 9016	8003	8017	1019	7016	8022	9005	1013
Anodized	: EF 01	EF 02	EF 03	EF 04	EF 06	EF 09		

ROTAX L Type Pull Handle

Product code : **PHL02**

Quantity : 100 Pcs



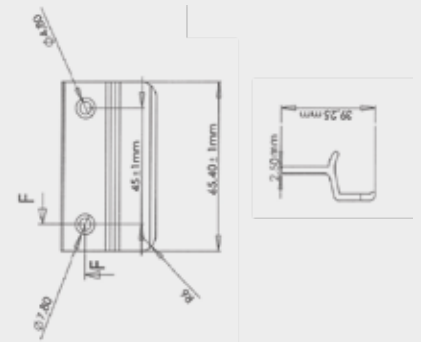
Color Option

Ral	: 9016	8003	8017	1019	7016	8022	9005	1013
Anodized	: EF 01	EF 02	EF 03	EF 04	EF 06	EF 09		

ROTAX H Type Pull Handle

Product code : **PHL03**

Quantity : 100 Pcs



Color Option

Ral	: 9016	8003	8017	1019	7016	8022	9005	1013
Anodized	: EF 01	EF 02	EF 03	EF 04	EF 06	EF 09		

ESPAGNOLETTES

EN

ESPAGNOLETTES

- Double Opening Espagnolettes
- Single Opening Espagnolettes
- Transom Applications
- Espagnolettes

TR

İSPANYOLETLER

- Çift Açılım İspanyoletler
- Tek Açılım İspanyoletler
- Vasistas Uygulamaları
- İspanyoletler

FR

ESPAGNOLETTES

- System Double Ouverture
- Kitte System Double Ouverture a 1 Ventaille
- System d'Inclinson
- Cremon

RU

ШПИНГАЛЕТ

- Двухсторонний
- Односторонний
- Фрамуг
- Шпингалет

AR

مزلاج

- افتتاح مزدوج
- افتتاح واحد
- مقص نافذة مشبكة
- اسبليونة أنظمة

Centred / Variable Handle Height; 15 mm Backset - Vertical System

Ortalanmış / Değişken sap yüksekliği; 15mm sırt - Dikey sistem

По Центру / высота переменной рукоятки: Задняя часть 15 мм - Вертикальная Система

Product Selection Table

Code	Item Description		
201121 SP 1	- Tilt & Turn Gear / наклон и поворот	500mm	- 660mm
201122 SP 2	- Tilt & Turn Gear / наклон и поворот	661mm	- 1160mm
201123 SP 3	- Tilt & Turn Gear / наклон и поворот	900mm	- 1400mm
201124 SP 4	- Tilt & Turn Gear / наклон и поворот	1161mm	- 1660mm
201125 SP 5	- Tilt & Turn Gear / наклон и поворот	1661mm	- 2160mm
201126 SP 6	- Tilt & Turn Gear / наклон и поворот	1900mm	- 2400mm
204100 MK 0	- Stay Arm Set / держатель для ручек	340mm	- 410mm
204101 MK 1	- Stay Arm Set / держатель для ручек	411mm	- 650mm
204102 MK 2	- Stay Arm Set / держатель для ручек	651mm	- 900mm
204103 MK 3	- Stay Arm Set / держатель для ручек	901mm	- 1150mm
204104 MK 4	- Stay Arm Set / держатель для ручек	1151mm	- 1400mm
205106 OK 0	- Middle Lock / Срединный Замок		- 800mm
205107 OK 1	- Middle Lock / Срединный Замок	801mm	- 1160mm
205108 OK 2	- Middle Lock / Срединный Замок	900mm	- 1400mm
205109 OK 3	- Middle Lock / Срединный Замок	1161mm	- 1660mm
205110 OK 4	- Middle Lock / Срединный Замок	1661mm	- 2160mm
4	203101 Corner Transmission / Угловая трансмиссия		
4a	203104 Corner Transmission Short / Угловая трансмиссия короткая		
4b	203106 Night-vent Multi-stepped Corner Transmission / многоступенчатый ночной вентилятор угловой трансмиссии		
5	203103 Connecting Parts / соединительные части		
6	206101 Tilt Locking Part / блокировка наклона		
7	221201 Standard Mishandling Device / стандартное устройство для неправильной работы		
7a	221101 Mishandling & Lifting Device / стандартное и подъемное устройство		
8	20710X Sash hinge - ttop (9/13mm) / створка шарнира - верхняя (9/13mm)		
9	207201 Sash Hinge - Bottom (3mm) / створчатый шарнир - нижний (3mm)		
9a	207202 Sash Hinge - Bottom (6mm) / створчатый шарнир - нижний (6mm)		
9b	20720X Rebated Sash Hinge Bottom (R/L; 9/13mm) / Шарнир с подкладкой створкой - снизу (R/L; 9/13mm)		
10	208101 Frame Hing - Top (3mm) / каркасный шарнир - верхний (3mm)		
10a	208102 Frame Hing - Top (6mm) / каркасный шарнир - верхний (6mm)		
11	208201 Frame Hing - Bottom (3mm) / каркасный шарнир - нижний (3mm)		
11a	208202 Frame Hing - Bottom (6mm) / каркасный шарнир - нижний (6mm)		
12	220XXX Plastic Cover Set (5psc) / Комплект пластиковой крышки (5шт)		
13	209XXX Vertical Tilt Locking / Блокировка вертикального наклона		
14	211XXX Locking Plate / Стопорная шайба		
15	214X01 Mishandling & Lifting Device Locking Plate / Стопорная шайба		
16	215101 Night-vent Multi-stepped Locking Plate (9/13mm) / многоступенчатая стопорная пластина (9/13mm)		
19	204191 Additional Scissors (Recommended for sashes with width more then 1200mm) дополнительные ножницы (рекомендуется для створки шириной более 1200 мм)		

Centred / Variable Handle Height; 15 mm Backset - Horizontal System

Ortalanmış / Değişken sap yüksekliği; 15mm sırt - Yatay sistem

По Центру / высота переменной рукоятки: заднее расстояние 15 мм - Горизонтальная Система

Product Selection Table

Code	Item Description		
1	201121 SP 1 - Tilt & Turn Gear / наклон и поворот	500 mm	- 660 mm
	201122 SP 2 - Tilt & Turn Gear / наклон и поворот	661 mm	- 1160 mm
	201123 SP 3 - Tilt & Turn Gear / наклон и поворот	900 mm	- 1400 mm
	201124 SP 4 - Tilt & Turn Gear / наклон и поворот	1161 mm	- 1660 mm
	201125 SP 5 - Tilt & Turn Gear / наклон и поворот	1661 mm	- 2160 mm
	201126 SP 6 - Tilt & Turn Gear / наклон и поворот	1900 mm	- 2400 mm
2	204100 MK 0 - Stay Arm Set / держатель для ручек	340 mm	- 410 mm
	204101 MK 1 - Stay Arm Set / держатель для ручек	411 mm	- 650 mm
	204102 MK 2 - Stay Arm Set / держатель для ручек	651 mm	- 900 mm
	204103 MK 3 - Stay Arm Set / держатель для ручек	901 mm	- 1150 mm
	204104 MK 4 - Stay Arm Set / держатель для ручек	1151 mm	- 1400 mm
3	205101 IK 0 - Centre Lock / Центральный замок		- 800 mm
	205102 IK 1 - Centre Lock / Центральный замок	801 mm	- 1160 mm
	205103 IK 2 - Centre Lock / Центральный замок	900 mm	- 1400 mm
	205104 IK 3 - Centre Lock / Центральный замок	1161 mm	- 1660 mm
	205105 IK 4 - Centre Lock / Центральный замок	1661 mm	- 2160 mm
4	203101 Corner Transmission / Угловая трансмиссия		
4a	203104 Corner Transmission Short / Угловая трансмиссия короткая		
4b	203106 Night-vent Multi-stepped Corner Transmission / многоступенчатый ночной вентилятор угловой трансмиссии		
5	203103 Connecting Part / соединительные части		
6	203105 Stay Arm Corner Transmission / Держатель кронштейнов		
7	221201 Standard Mishandling Device / стандартное устройство для неправильной работы		
7a	221101 Mishandling & Lifting Device / стандартное и подъемное устройство		
8	20710X Sash Hinge - Top (9/13 mm) / створка шарнира - верхняя (9/13mm)		
9	207201 Sash Hinge - Bottom (3 mm) / створчатый шарнир - нижний (3mm)		
9a	207202 Sash Hinge - Bottom (6 mm) / створчатый шарнир - нижний (6mm)		
9b	20720X Rebated Sash Hinge Bottom (R/L; 9/13 mm) / Шарнир с подкладкой створкой - снизу (R/L; 9/13mm)		
10	208101 Frame Hinge - Top (3 mm) / каркасный шарнир - верхний (3mm)		
10a	208102 Frame Hinge - Top (6 mm) / каркасный шарнир - верхний (6mm)		
11	208201 Frame Hinge - Bottom (3 mm) / каркасный шарнир - нижний (3mm)		
11a	208202 Frame Hinge - Bottom (6 mm) / каркасный шарнир - нижний (6mm)		
12	220XXX Plastic Cover Set (5 psc) / Комплект пластиковой крышки (5шт)		
13	210XXX Horizontal Tilt Locking / Блокировка горизонтального наклона		
14	211XXX Locking Plate / Стопорная шайба		
15	214X01 Mishandling & Lifting Device Locking Plate / Стопорная пластина		
16	215101 Night-vent Multi-stepped Locking Plate (9/13 mm) / многоступенчатая стопорная пластина (9/13mm)		
19	204191 Additional Scissors (recommended for sashes with width more then 1200 mm) дополнительные ножницы (рекомендуется для створки шириной более 1200 мм)		

Centred / Variable Handle Height - Double Casement System

Ortalanmış / Değişken sap yüksekliği - çift kanatlı sistem

По Центру / высота переменной рукоятки: Задняя часть 15 мм - : Двойная Система Створки

Product Selection Table

Code	Item Description		
1	202101 CSP 1 - Double Sash Gear / Двойные створки	560 mm	- 660 mm
	202102 CSP 2 - Double Sash Gear / Двойные створки	661 mm	- 1160 mm
	202103 CSP 3 - Double Sash Gear / Двойные створки	900 mm	- 1400 mm
	202104 CSP 4 - Double Sash Gear / Двойные створки	1161 mm	- 1660 mm
	202105 CSP 5 - Double Sash Gear / Двойные створки	1661 mm	- 2160 mm
	202106 CSP 6 - Double Sash Gear / Двойные створки	1900 mm	- 2140 mm
2	204171 Adjustable Side Hung Hinge / Регулируемый подвесной шарнир		
3	205101 IK 0 - Centre Lock / Центральный замок		- 800 mm
	205102 IK 0 - Centre Lock / Центральный замок	801 mm	- 1160 mm
	205103 IK 0 - Centre Lock / Центральный замок	900 mm	- 1400 mm
	205104 IK 0 - Centre Lock / Центральный замок	1161 mm	- 1660 mm
	205105 IK 0 - Centre Lock / Центральный замок	661 mm	- 2160 mm
4	203101 Corner Transmission / Угловая трансмиссия		
5	203103 Connecting Part / Соединительные части		
6	202141 Side Hung Bolt - Bottom / Болт с боковой головкой - нижний		
7	202143 Side Hung Bolt - Top (short) / Болт с боковой головкой - верхний (короткий)		
8	20710X Sash Hinge - Top (9/13 mm) / Шарнир шва - верхний (9/13 мм)		
9	207201 Sash Hinge - Bottom (3 mm) / створчатый шарнир - нижний (3мм)		
9a	207202 Sash Hinge - Bottom (6 mm) / створчатый шарнир - нижний (6мм)		
9b	20720X Rebated Sash Hinge Bottom (R/L; 9/13 mm) / Шарнир с подкладкой створкой - снизу (R/L; 9/13мм)		
10	208101 Frame Hinge - Top (3 mm) / каркасный шарнир - верхний (3мм)		
10a	208102 Frame Hinge - Top (6 mm) / каркасный шарнир - верхний (6мм)		
11	208201 Frame Hinge - Bottom (3 mm) / каркасный шарнир - нижний (3мм)		
11a	208202 Frame Hinge - Bottom (6 mm) / каркасный шарнир - нижний (6мм)		
12	221103 Sash Middle Hinge / Стойка средней петли.		
12a	221X02 Adjustable Middle Hinge (9/13 mm) / Регулируемый средний шарнир (9/13 мм)		
13	22110X Middle Compression Hinge / Шарнир средней компрессии		
14	220XXX Plastic Cover Set (5 pcs) / Комплект пластиковой крышки (5шт)		
15	220XXX Plastic Cover Set (2 pcs) / Комплект пластиковой крышки (2шт)		
16	211XXX Locking Plate / Стопорная шайба		
17	213X0X Locking Plate - Bolt (9/13 mm) / Стопорная шайба - Болт (9/13 мм)		
17a	213102 Locking Plate - Bolt (adjustable) (9/13 mm) / Стопорная шайба - Болт (Регулируемый) (9/13 мм)		
18	211901 Double Sash Locking Plate / Задняя панель		
20	214901 Mishandling & Lifting Device Locking Plate / Стопорная пластина		

One Turn System (1. Application)

Tek açılım sistem (1. Uygulama)

Односторонняя система (1. Приложение)

Product Selection Table

Code	Item Description		
1	201121 SP 1 - Tilt & Turn Gear / наклон и поворот	500 mm	- 660 mm
	201122 SP 2 - Tilt & Turn Gear / наклон и поворот	661 mm	- 1160 mm
	201123 SP 3 - Tilt & Turn Gear / наклон и поворот	900 mm	- 1400 mm
	201124 SP 4 - Tilt & Turn Gear / наклон и поворот	1161 mm	- 1660 mm
	201125 SP 5 - Tilt & Turn Gear / наклон и поворот	1661 mm	- 2160 mm
	201126 SP 6 - Tilt & Turn Gear / наклон и поворот	1900 mm	- 2400 mm
2	204171 Adjustable Side Hung Hinge / Регулируемый подвесной шарнир		
3	205101 IK 0 - Centre Lock / Центральный замок		- 800 mm
	205102 IK 1 - Centre Lock / Центральный замок	801 mm	- 1160 mm
	205103 IK 2 - Centre Lock / Центральный замок	900 mm	- 1400 mm
	205104 IK 3 - Centre Lock / Центральный замок	1161 mm	- 1660 mm
	205105 IK 4 - Centre Lock / Центральный замок	1661 mm	- 2160 mm
4	203101 Corner Transmission / Угловая трансмиссия		
5	203103 Connecting Part / Соединительные части		
6	20710X Sash Hinge - Top (9/13 mm) / каркасный шарнир - верхний (9/13mm)		
7	207201 Sash Hinge - Bottom (3 mm) / каркасный шарнир - нижний (3mm)		
7a	207202 Sash Hinge - Bottom (6 mm) / каркасный шарнир - нижний (6mm)		
7b	20720X Rebated Sash Hinge Bottom (R/L; 9/13 mm) / Шарнир с подкладкой створкой - снизу (R/L; 9/13mm)		
8	208101 Frame Hinge - Top (3 mm) / каркасный шарнир - верхний (3mm)		
8a	208102 Frame Hinge - Top (6 mm) / каркасный шарнир - верхний (6mm)		
9	208101 Frame Hinge - Bottom (3 mm) / каркасный шарнир - нижний (3mm)		
9a	208102 Frame Hinge - Bottom (6 mm) / каркасный шарнир - нижний (6mm)		
10	221103 Sash Middle Hinge / Стойка средней петли.		
10a	221X02 Adjustable Middle Hinge (9/13 mm) / Регулируемый средний шарнир (9/13 mm)		
11	22110X Middle Compression Hinge / Шарнир средней компрессии		
12	220XXX Plastic Cover Set (5 pcs) / Комплект пластиковой крышки (5шт)		
13	220XXX Plastic Cover Set (2 pcs) / Комплект пластиковой крышки (2шт)		
14	211XXX Locking Plate / Стопорная шайба		
15	200102 SP 280 - Turn Gear / Поворачивающийся механизм	280 mm	- 400 mm
	200103 SP 400 - Turn Gear / Поворачивающийся механизм	400 mm	- 600 mm
	200104 SP 600 - Turn Gear / Поворачивающийся механизм	600 mm	- 800 mm
	200105 SP 800 - Turn Gear / Поворачивающийся механизм	800 mm	- 1000 mm
	200106 SP 1000 - Turn Gear / Поворачивающийся механизм	1000 mm	- 1200 mm
	200107 SP 1200 - Turn Gear / Поворачивающийся механизм	1200 mm	- 1400 mm
	200108 SP 1400 - Turn Gear / Поворачивающийся механизм	1400 mm	- 1600 mm
	200109 SP 1600 - Turn Gear / Поворачивающийся механизм	1600 mm	- 1800 mm
	200110 SP 1800 - Turn Gear / Поворачивающийся механизм	1800 mm	- 2000 mm
	200111 SP 2000 - Turn Gear / Поворачивающийся механизм	2000 mm	- 2200 mm

Turn Only System (2. Application)

Tek açılım sistem (2. Uygulama)

Односторонняя система (2. Приложение)

Product Selection Table

Code	Item Description		
201121 SP 1	- Tilt & Turn Gear / наклон и поворот	500 mm	- 660 mm
201122 SP 2	- Tilt & Turn Gear / наклон и поворот	661 mm	- 1160 mm
201123 SP 3	- Tilt & Turn Gear / наклон и поворот	900 mm	- 1400 mm
201124 SP 4	- Tilt & Turn Gear / наклон и поворот	1161 mm	- 1660 mm
201125 SP 5	- Tilt & Turn Gear / наклон и поворот	1661 mm	- 2160 mm
201126 SP 6	- Tilt & Turn Gear / наклон и поворот	1900 mm	- 2400 mm
204171	Adjustable Side Hung Hinge / на		
205106 OK 0	- Middle Lock / Центральный замок		- 800 mm
205107 OK 1	- Middle Lock / Центральный замок	801 mm	- 1160 mm
205108 OK 2	- Middle Lock / Центральный замок	900 mm	- 1400 mm
205109 OK 3	- Middle Lock / Центральный замок	1161 mm	- 1660 mm
205110 OK 4	- Middle Lock / Центральный замок	1661 mm	- 2160 mm
206102	Turn Locking Part - Top / Поворачивающаяся блокирующая часть - верхний		
206103	Turn Locking Part - Bottom / Поворачивающаяся блокирующая часть - нижний		
203103	Connecting Part / Соединительные части		
20710X	Sash Hinge - Top (9/13 mm) / каркасный шарнир - верхний (9/13mm)		
207201	Sash Hinge - Bottom (3 mm) / каркасный шарнир - нижний (3mm)		
207202	Sash Hinge - Bottom (6 mm) / каркасный шарнир - нижний (6mm)		
20720X	Rebated Sash Hinge Bottom (R/L; 9/13 mm) / Шарнир с подкладкой створкой - снизу (R/L; 9/13mm)		
208101	Frame Hinge - Top (3 mm) / каркасный шарнир - верхний (3mm)		
208102	Frame Hinge - Top (6 mm) / каркасный шарнир - верхний (6mm)		
208101	Frame Hinge - Bottom (3 mm) / каркасный шарнир - нижний (3mm)		
208102	Frame Hinge - Bottom (6 mm) / каркасный шарнир - нижний (6mm)		
221103	Sash Middle Hinge / Стойка средней петли.		
221X02	Adjustable Middle Hinge (9/13 mm) / Регулируемый средний шарнир (9/13 мм)		
22110X	Middle Compression Hinge / Шарнир средней компрессии		
220XXX	Plastic Cover Set (5 pcs) / Комплект пластиковой крышки (5шт)		
220XXX	Plastic Cover Set (2 pcs) / Комплект пластиковой крышки (2шт)		
211XXX	Locking Plate / Стопорная шайба		
200102 SP 280	- Turn Gear / Поворачивающийся механизм	280 mm	- 400 mm
200103 SP 400	- Turn Gear / Поворачивающийся механизм	400 mm	- 600 mm
200104 SP 600	- Turn Gear / Поворачивающийся механизм	600 mm	- 800 mm
200105 SP 800	- Turn Gear / Поворачивающийся механизм	800 mm	- 1000 mm
200106 SP 1000	- Turn Gear / Поворачивающийся механизм	1000 mm	- 1200 mm
200107 SP 1200	- Turn Gear / Поворачивающийся механизм	1200 mm	- 1400 mm
200108 SP 1400	- Turn Gear / Поворачивающийся механизм	1400 mm	- 1600 mm
200109 SP 1600	- Turn Gear / Поворачивающийся механизм	1600 mm	- 1800 mm
200110 SP 1800	- Turn Gear / Поворачивающийся механизм	1800 mm	- 2000 mm
200111 SP 2000	- Turn Gear / Поворачивающийся механизм	2000 mm	- 2200 mm


Tilt Stay Application

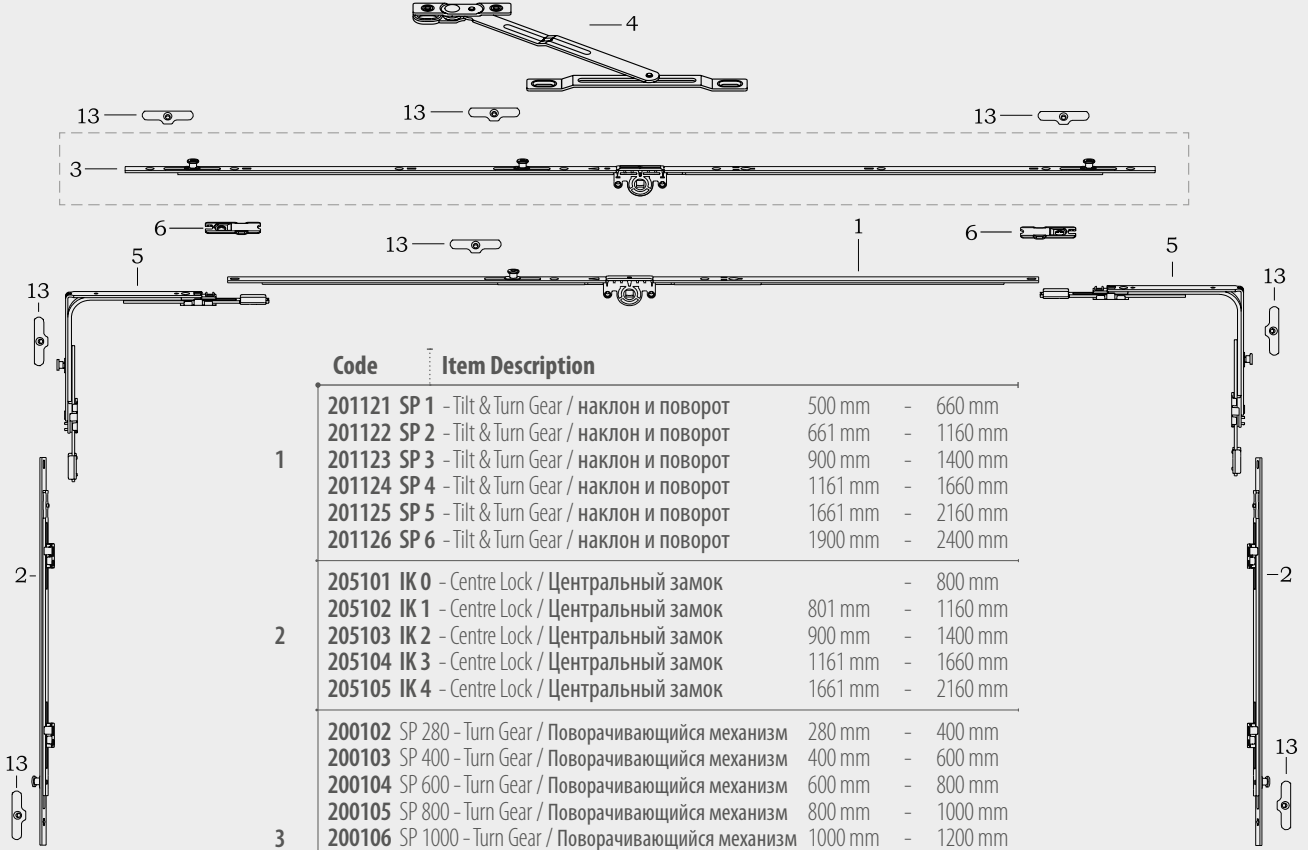
Vasistas uygulaması

Фрамуг

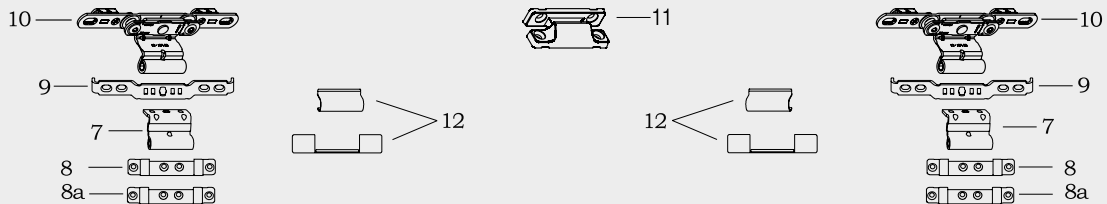
Product Selection Table

Ürün Seçim Tablosu

Таблица выбора продукции

**Code** **Item Description**

1	201121 SP 1 - Tilt & Turn Gear / наклон и поворот	500 mm	-	660 mm
	201122 SP 2 - Tilt & Turn Gear / наклон и поворот	661 mm	-	1160 mm
	201123 SP 3 - Tilt & Turn Gear / наклон и поворот	900 mm	-	1400 mm
	201124 SP 4 - Tilt & Turn Gear / наклон и поворот	1161 mm	-	1660 mm
	201125 SP 5 - Tilt & Turn Gear / наклон и поворот	1661 mm	-	2160 mm
	201126 SP 6 - Tilt & Turn Gear / наклон и поворот	1900 mm	-	2400 mm
2	205101 IK 0 - Centre Lock / Центральный замок		-	800 mm
	205102 IK 1 - Centre Lock / Центральный замок	801 mm	-	1160 mm
	205103 IK 2 - Centre Lock / Центральный замок	900 mm	-	1400 mm
	205104 IK 3 - Centre Lock / Центральный замок	1161 mm	-	1660 mm
	205105 IK 4 - Centre Lock / Центральный замок	1661 mm	-	2160 mm
3	200102 SP 280 - Turn Gear / Поворачивающийся механизм	280 mm	-	400 mm
	200103 SP 400 - Turn Gear / Поворачивающийся механизм	400 mm	-	600 mm
	200104 SP 600 - Turn Gear / Поворачивающийся механизм	600 mm	-	800 mm
	200105 SP 800 - Turn Gear / Поворачивающийся механизм	800 mm	-	1000 mm
	200106 SP 1000 - Turn Gear / Поворачивающийся механизм	1000 mm	-	1200 mm
	200107 SP 1200 - Turn Gear / Поворачивающийся механизм	1200 mm	-	1400 mm
	200108 SP 1400 - Turn Gear / Поворачивающийся механизм	1400 mm	-	1600 mm
	200109 SP 1600 - Turn Gear / Поворачивающийся механизм	1600 mm	-	1800 mm
	200110 SP 1800 - Turn Gear / Поворачивающийся механизм	1800 mm	-	2000 mm
	4	204161 Tilt Stay / Наклонная		
5	203101 Corner Transmission / Угловая трансмиссия			
6	203103 Connecting Part / Соединительные части			
7	20710X Sash Hinge - Top (9/13 mm) / каркасный шарнир - верхний (9/13mm)			
8	208101 Frame Hinge - Top (3 mm) / каркасный шарнир - верхний (3mm)			
8a	208102 Frame Hinge - Top (6 mm) / каркасный шарнир - верхний (6mm)			
9	221103 Sash Middle Hinge / Стойка средней петли.			
10	221X02 Adjustable Middle Hinge (9/13 mm) / Регулируемый средний шарнир (9/13 мм)			
11	22110X Middle Compression Hinge / Шарнир средней компрессии			
12	220XXX Plastic Cover Set (2 pcs) / Комплект пластиковой крышки (2шт)			
13	211XXX Locking Plate / Стопорная шайба			

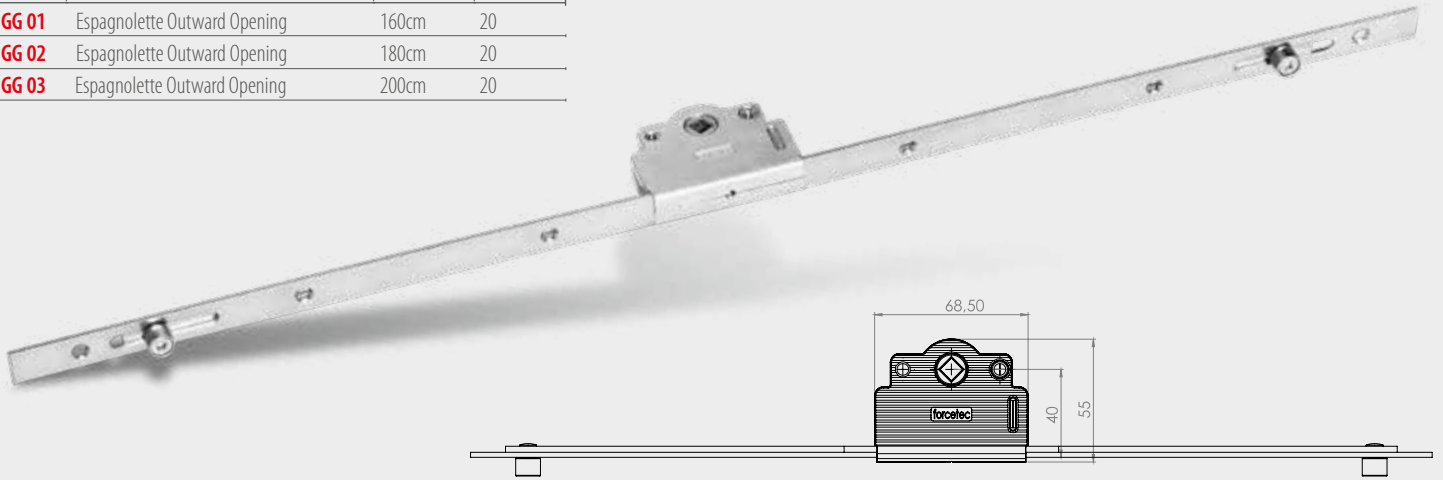




Espagnolettes Outward Opening

40 Eksen Dışa Açılım İspanyoletler/ 40мм ВертикальНЫЕ Замки открывающиеся Наружу

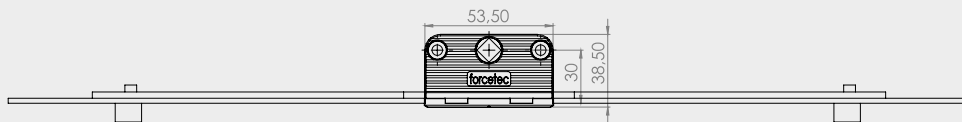
Code	Item Description	Size	Quantity
IGG 01	Espagnolette Outward Opening	160cm	20
IGG 02	Espagnolette Outward Opening	180cm	20
IGG 03	Espagnolette Outward Opening	200cm	20



Espagnolettes Outward Opening

30 Eksen Dışa Açılım İspanyoletler / 30мм ВертикальНЫЕ Замки открывающиеся Наружу

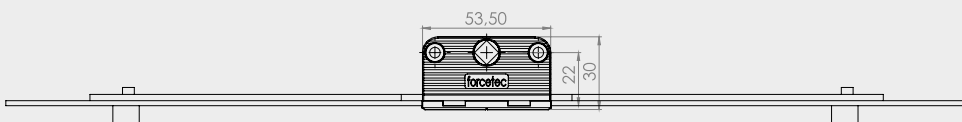
Code	Item Description	Size	Quantity
IGG 04	Espagnolettes Outward Opening	28cm	50
IGG 05	Espagnolettes Outward Opening	40cm	50
IGG 06	Espagnolettes Outward Opening	60cm	50
IGG 07	Espagnolettes Outward Opening	80cm	50
IGG 08	Espagnolettes Outward Opening	100cm	50
IGG 09	Espagnolettes Outward Opening	120cm	50
IGG 10	Espagnolettes Outward Opening	140cm	25
IGG 11	Espagnolettes Outward Opening	160cm	25
IGG 12	Espagnolettes Outward Opening	180cm	25
IGG 13	Espagnolettes Outward Opening	200cm	25



Espagnolettes Outward Opening

22 Eksen Dışa Açılım İspanyoletler / 22мм ВертикальНЫЕ Замки открывающиеся Наружу

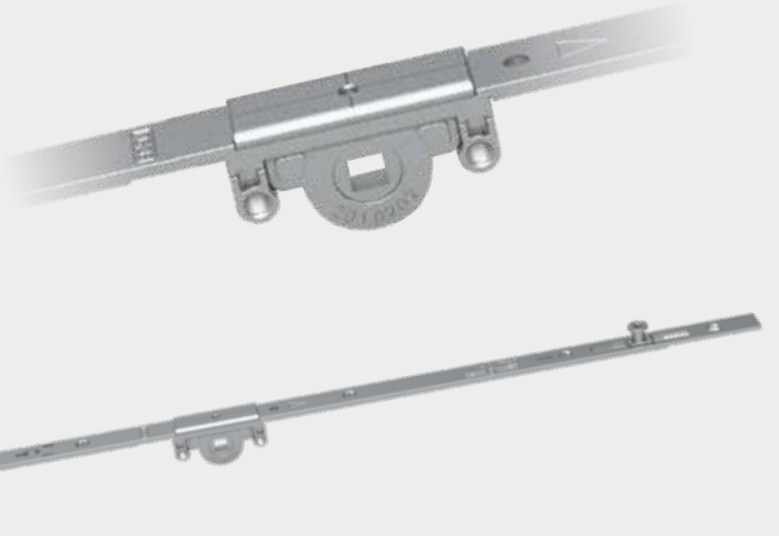
Code	Item Description	Size	Quantity
IGG 14	Espagnolettes Outward Opening	28cm	50
IGG 15	Espagnolettes Outward Opening	40cm	50
IGG 16	Espagnolettes Outward Opening	60cm	50
IGG 17	Espagnolettes Outward Opening	80cm	50
IGG 18	Espagnolettes Outward Opening	100cm	50
IGG 19	Espagnolettes Outward Opening	120cm	50
IGG 20	Espagnolettes Outward Opening	140cm	25
IGG 21	Espagnolettes Outward Opening	160cm	25
IGG 22	Espagnolettes Outward Opening	180cm	25
IGG 23	Espagnolettes Outward Opening	200cm	25



FEZE Espagnolettes Security System 15,5 Axis

15,5 Eksen İspanyolet Emliyetli sistem

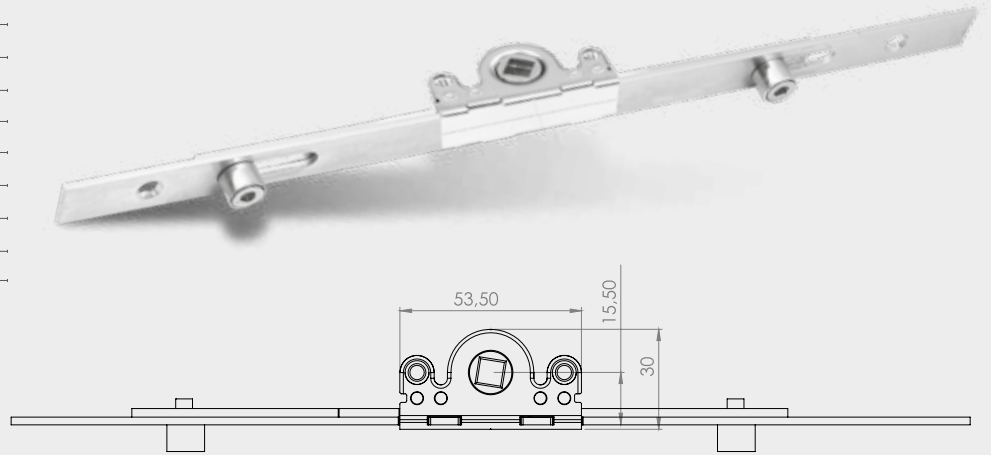
Code	Item Description
200102	SP280 - Turn Gear 15 mm, T2, /280 mm - 400 mm/, (280 mm)
200103	SP400 - Turn Gear 15 mm, T2, /400 mm - 600 mm/, (400 mm)
200104	SP600 - Turn Gear 15 mm, T2, /600 mm - 800 mm/, (600 mm)
200105	SP800 - Turn Gear 15 mm, T2, /800 mm - 1000 mm/, (800 mm)
200106	SP1000 - Turn Gear 15 mm, T3, /1000 mm - 1200 mm/, (1000 mm)
200107	SP1200 - Turn Gear 15 mm, T3, /1200 mm - 1400 mm/, (1200 mm)
200108	SP1400 - Turn Gear 15 mm, T3, /1400 mm - 1600 mm/, (1400 mm)
200109	SP1600 - Turn Gear 15 mm, T3, /1600 mm - 1800 mm/, (1600 mm)
200110	SP1800 - Turn Gear 15 mm, T4, /1800 mm - 2000 mm/, (1800 mm)
200111	SP2000 - Turn Gear 15 mm, T4, /2000 mm - 2200 mm/, (2000 mm)



ROTAX Espagnolettes 15,5 Axis

15,5 Eksen Zamak Göbek İspanyoletler / 15.5мм приводы со цинковыми сердцевинами

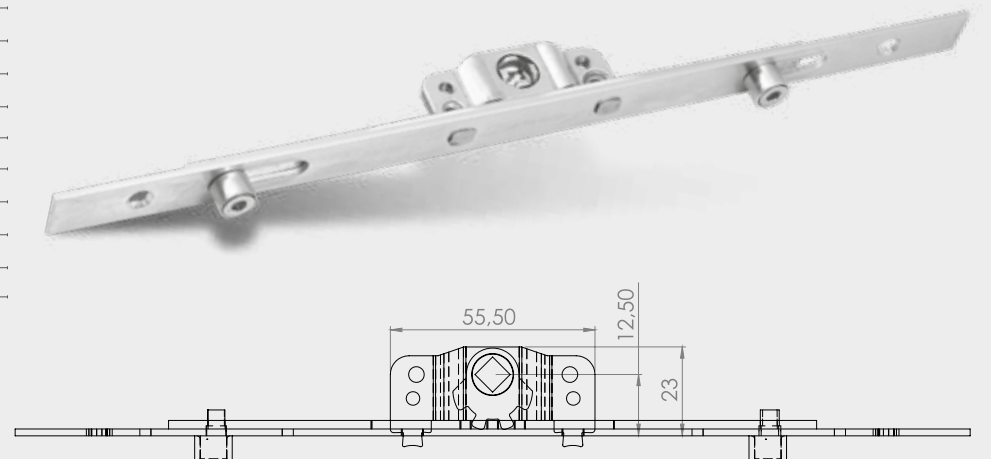
Code	Product Name	Size	Quantity
IZG01	Espagnolette 15,5 Axis	28cm	40
IZG02	Espagnolette 15,5 Axis	40cm	40
IZG03	Espagnolette 15,5 Axis	60cm	40
IZG04	Espagnolette 15,5 Axis	80cm	40
IZG05	Espagnolette 15,5 Axis	100cm	40
IZG06	Espagnolette 15,5 Axis	120cm	40
IZG07	Espagnolette 15,5 Axis	140cm	25
IZG08	Espagnolette 15,5 Axis	160cm	25
IZG09	Espagnolette 15,5 Axis	180cm	25
IZG010	Espagnolette 15,5 Axis	200cm	25



ROTAX Metal Bodies Espagnolettes 12,5 Axis

12,5 Eksen Sac Göbek İspanyoletler / 12.5мм приводы со стальными сердцевинами

Code	Product Name	Size	Quantity
ICG01	Metal Bodies Espagnolette	28cm	50
ICG02	Metal Bodies Espagnolette	40cm	50
ICG03	Metal Bodies Espagnolette	60cm	50
ICG04	Metal Bodies Espagnolette	80cm	50
ICG05	Metal Bodies Espagnolette	100cm	50
ICG06	Metal Bodies Espagnolette	120cm	50
ICG07	Metal Bodies Espagnolette	140cm	25
ICG08	Metal Bodies Espagnolette	160cm	25
ICG09	Metal Bodies Espagnolette	180cm	25
ICG010	Metal Bodies Espagnolette	200cm	25



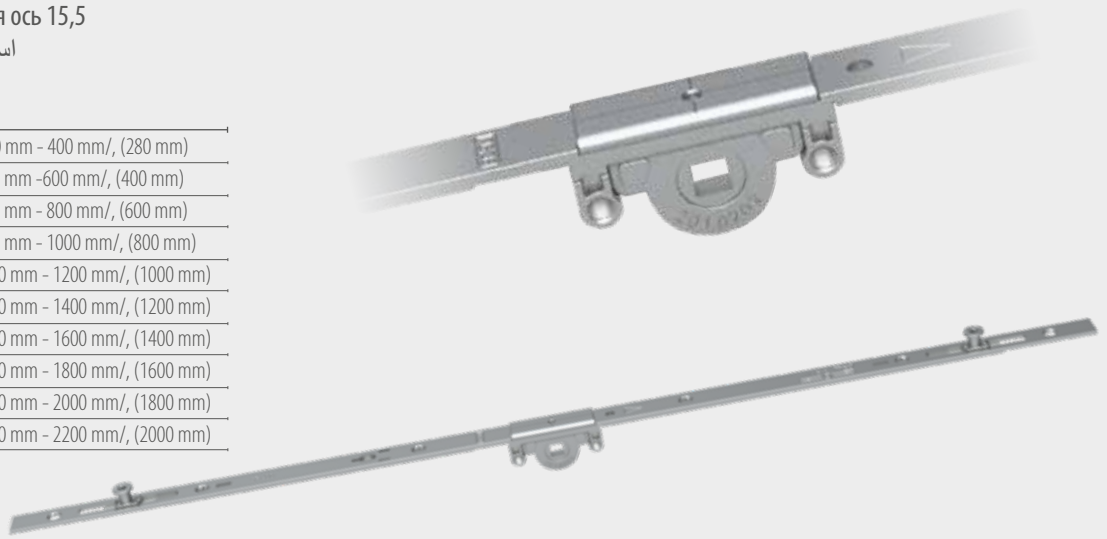
REZE Sliding Espagnolettes 15,5 Axis

15,5 Eksen Sürme Zamak Göbek İspanyoletler

Раздвижная Шпингалетная ось 15,5

اسبليونة أنظمة انزلاق بسيطة

Code	Item Description
200302	SSP280 - Sliding Gear/15 mm, T2, /280 mm - 400 mm/, (280 mm)
200303	SP400 - Sliding Gear/15 mm, T2, /400 mm - 600 mm/, (400 mm)
200304	SP600 - Sliding Gear/15 mm, T2, /600 mm - 800 mm/, (600 mm)
200305	SP800 - Sliding Gear/15 mm, T2, /800 mm - 1000 mm/, (800 mm)
200306	SP1000 - Sliding Gear/15 mm, T3, /1000 mm - 1200 mm/, (1000 mm)
200307	SP1200 - Sliding Gear/15 mm, T3, /1200 mm - 1400 mm/, (1200 mm)
200308	SP1400 - Sliding Gear/15 mm, T3, /1400 mm - 1600 mm/, (1400 mm)
200309	SP1600 - Sliding Gear/15 mm, T3, /1600 mm - 1800 mm/, (1600 mm)
200310	SP1800 - Sliding Gear/15 mm, T4, /1800 mm - 2000 mm/, (1800 mm)
200311	SP2000 - Sliding Gear/15 mm, T4, /2000 mm - 2200 mm/, (2000 mm)



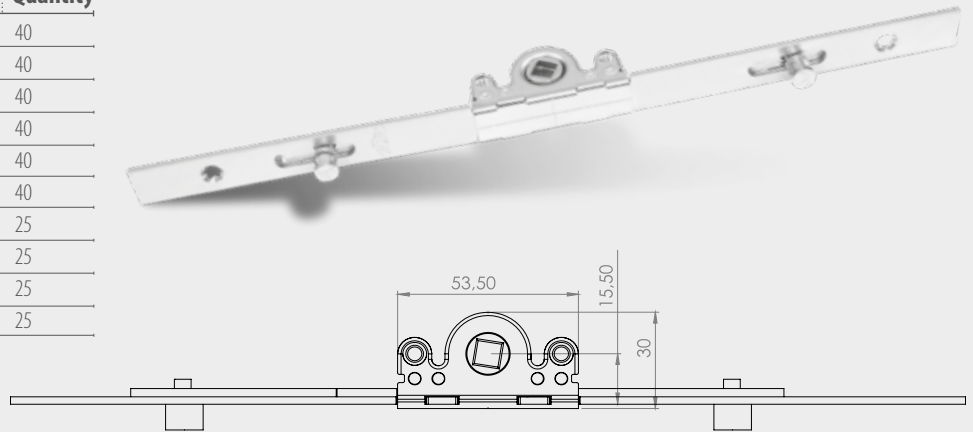
ROTAX Sliding Espagnolettes 15,5 Axis

15,5 Eksen Sürme Zamak Göbek İspanyoletler

15.5мм раздвижные приводы со цинковыми сердцевинами

اسبليونة أنظمة انزلاق بسيطة

Code	Product Name	Size	Quantity
ISZ01	Sliding Espagnolette 15,5 Axis	28cm	40
ISZ02	Sliding Espagnolette 15,5 Axis	40cm	40
ISZ03	Sliding Espagnolette 15,5 Axis	60cm	40
ISZ04	Sliding Espagnolette 15,5 Axis	80cm	40
ISZ05	Sliding Espagnolette 15,5 Axis	100cm	40
ISZ06	Sliding Espagnolette 15,5 Axis	120cm	40
ISZ07	Sliding Espagnolette 15,5 Axis	140cm	25
ISZ08	Sliding Espagnolette 15,5 Axis	160cm	25
ISZ09	Sliding Espagnolette 15,5 Axis	180cm	25
ISZ010	Sliding Espagnolette 15,5 Axis	200cm	25



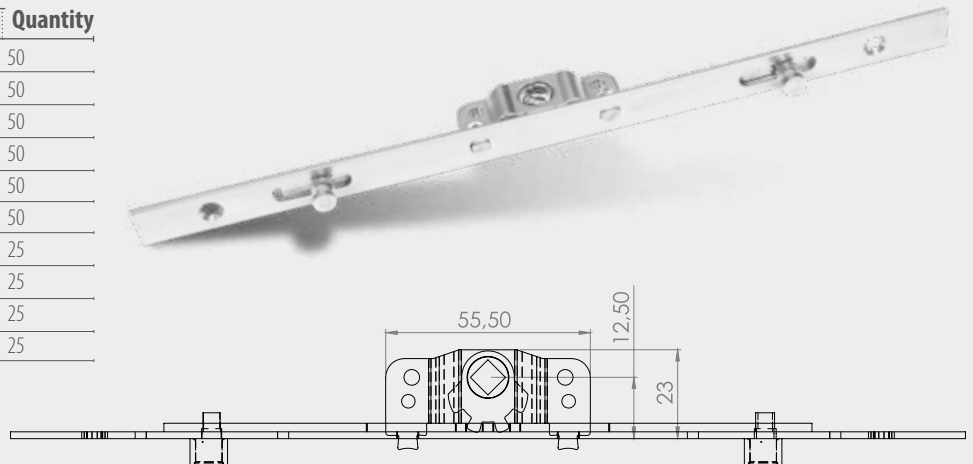
ROTAX Sliding Metal Body Espagnolettes 12,5 Axis

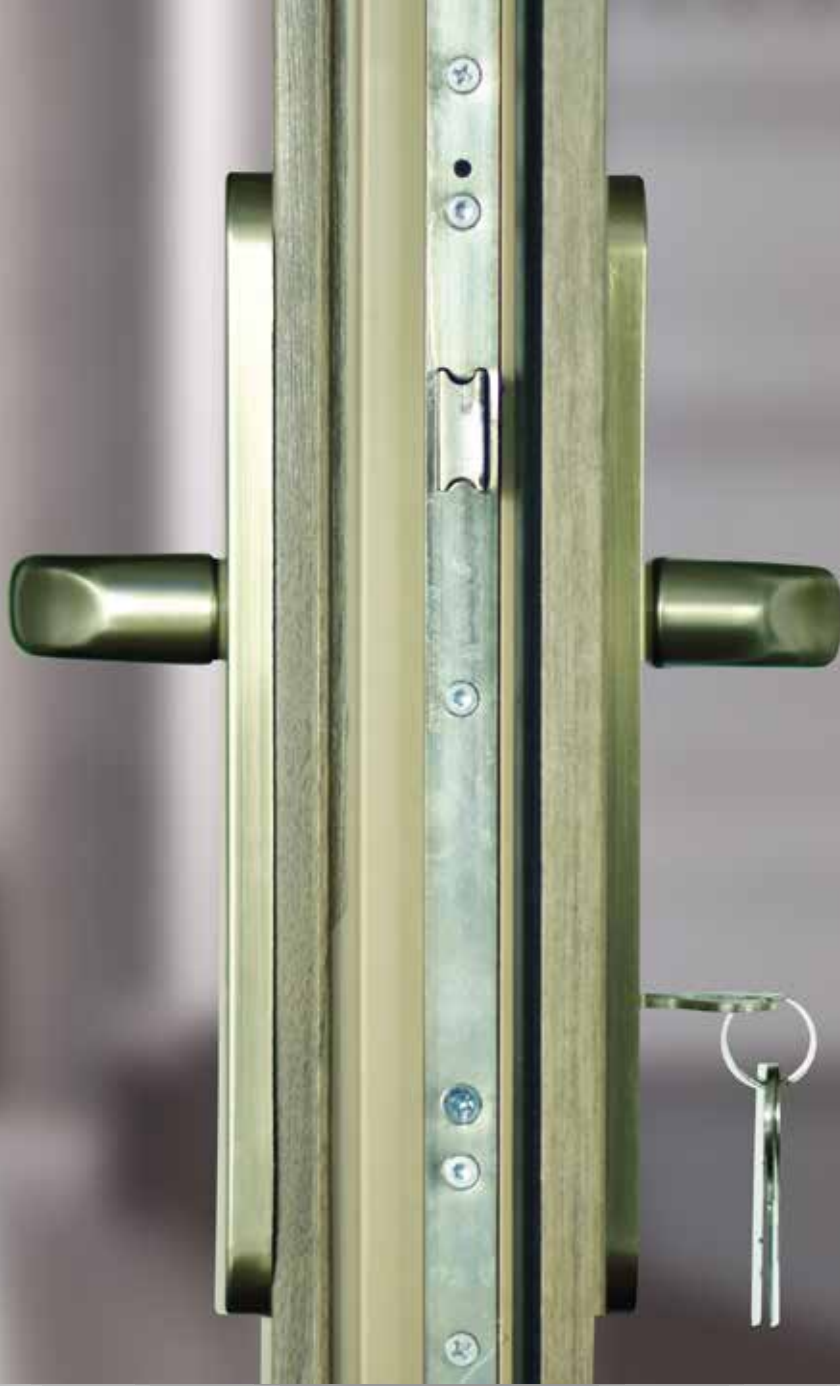
12,5 Eksen Sürme Sac Göbek İspanyoletler

12.5мм раздвижные приводы со стальными сердцевинами

اسبليونة أنظمة انزلاق بسيطة

Code	Product Name	Size	Quantity
ISC01	Sliding Metal Body Espagnolette	28cm	50
ISC02	Sliding Metal Body Espagnolette	40cm	50
ISC03	Sliding Metal Body Espagnolette	60cm	50
ISC04	Sliding Metal Body Espagnolette	80cm	50
ISC05	Sliding Metal Body Espagnolette	100cm	50
ISC06	Sliding Metal Body Espagnolette	120cm	50
ISC07	Sliding Metal Body Espagnolette	140cm	25
ISC08	Sliding Metal Body Espagnolette	160cm	25
ISC09	Sliding Metal Body Espagnolette	180cm	25
ISC010	Sliding Metal Body Espagnolette	200cm	25





FALCON
window systems

LOCKS

EN

LOCKS

- Espagnolettes With Lock For
- Door Locks

TR

KILİTLER

- Kilitli Kapı İspanyoletleri
- Kapı Kilitleri

FR

SERIEURES

- Cremona serieur
- serieur

RU

ЗАМКИ

- Шпингалет с Замком для Дверей
- Дверные Замки

AR

أقفال

- مزلاج مع قفل للأبواب
- أقفال الأبواب

Multi - Point Door Lock Strickers (Application With Cylinder)

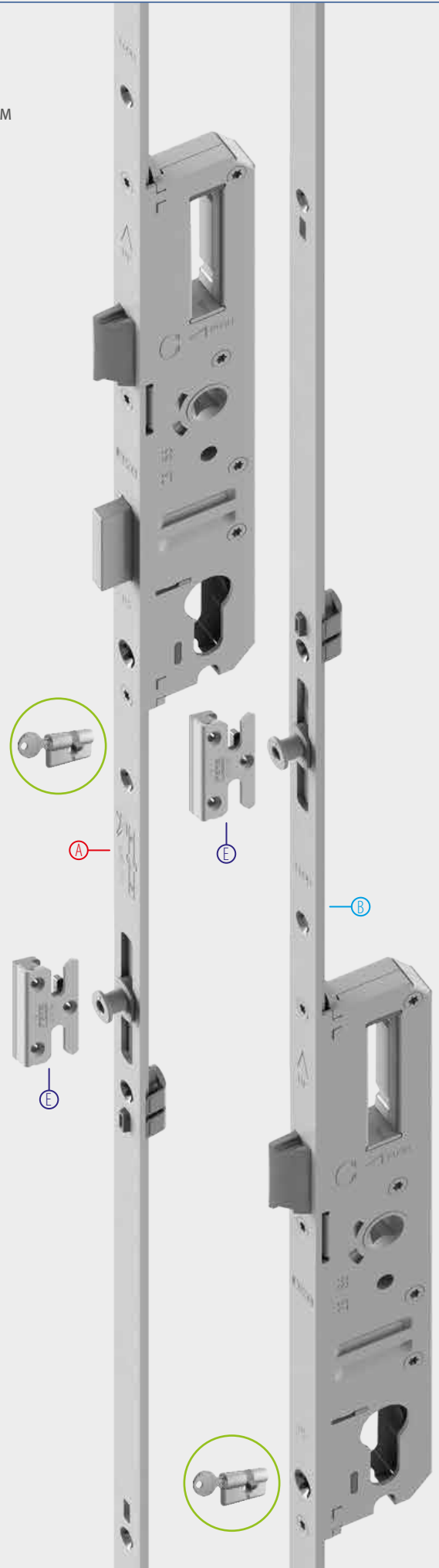
Kilitli kapı ispanyoleti 25mm / Многоточечные дверные замки с цилиндром

Code	Item Description	Quantity
400101	25/85 SR 1600mm (Latch & Deadbolt) (A)	10 Pcs
400102	25/85 1600mm (Latch) (B)	10 Pcs
400103	25/85 SR 1800mm (Latch & Deadbolt) (A)	10 Pcs
400104	25/85 1800mm (Latch) (B)	10 Pcs
400105	25/85 SR 2000mm (Latch & Deadbolt) (A)	10 Pcs
400106	25/85 2000mm (Latch) (B)	10 Pcs
400107	25/85 SR 1600mm -2000mm (Latch & Deadbolt) (A)	10 Pcs
400108	25/85 1600mm -2000mm (Latch) (B)	10 Pcs
400121	35/85 SR 1600mm (Latch & Deadbolt) (A)	10 Pcs
400122	35/85 1600mm (Latch) (B)	10 Pcs
400123	35/85 SR 1800mm (Latch & Deadbolt) (A)	10 Pcs
400124	35/85 1800mm (Latch) (B)	10 Pcs
400125	35/85 SR 2000mm (Latch & Deadbolt) (A)	10 Pcs
400126	35/85 2000mm (Latch) (B)	10 Pcs
400127	35/85 SR 1600mm -2200mm (Latch & Deadbolt) (A)	10 Pcs
400128	35/85 1600mm -2200mm (Latch) (B)	10 Pcs
400161	25/92 SR 1600mm (Latch & Deadbolt) (A)	10 Pcs
400162	25/92 1600mm (Latch) (B)	10 Pcs
400163	25/92 SR 1800mm (Latch & Deadbolt) (A)	10 Pcs
400164	25/92 1800mm (Latch) (B)	10 Pcs
400165	25/92 SR 2000mm (Latch & Deadbolt) (A)	10 Pcs
400166	25/92 2000mm (Latch) (B)	10 Pcs
400167	25/92 SR 1600mm -2200mm (Latch & Deadbolt) (A)	10 Pcs
400168	25/92 1600mm -2200mm (Latch) (B)	10 Pcs
400181	35/92 SR 1600mm (Latch & Deadbolt) (A)	10 Pcs
400182	35/92 1600mm (Latch) (B)	10 Pcs
400183	35/92 SR 1800mm (Latch & Deadbolt) (A)	10 Pcs
400184	35/92 1800mm (Latch) (B)	10 Pcs
400185	35/92 SR 2000mm (Latch & Deadbolt) (A)	10 Pcs
400186	35/92 2000mm (Latch) (B)	10 Pcs
400187	35/92 SR 1600mm -2200mm (Latch & Deadbolt) (A)	10 Pcs
400188	35/92 1600mm -2200mm (Latch) (B)	10 Pcs

Multi - Point Door Lock Strickers (Adjustable & Security)

Многоточечные дверные замки (регулируемый и безопасный)

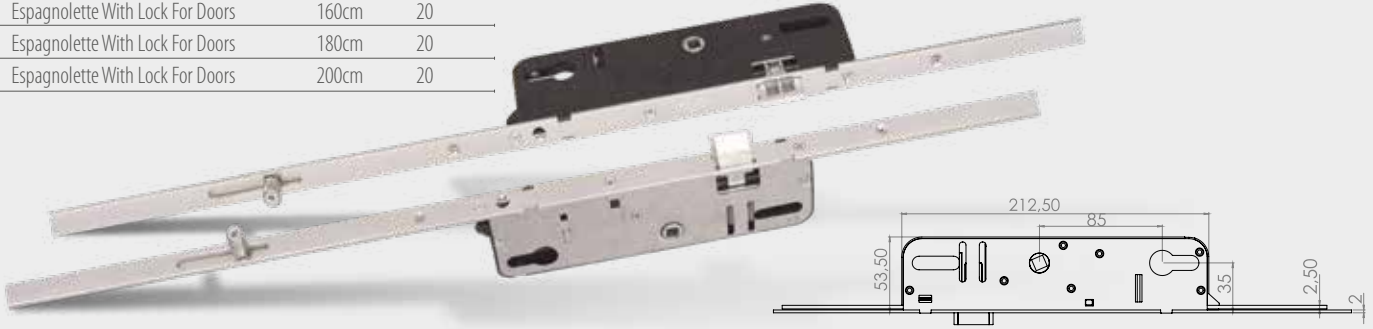
Code	Item Description	Quantity
213101	13 mm Axe - Locking Plate - Bolt (E)	200 Pcs
213501	9 mm Axe - Locking Plate - Bolt (E)	200 Pcs
213102	9/13 mm Axe - Locking Plate - Bolt (adjustable) (E)	100 Pcs
213103	9/13 mm Axe - Door Locking Bolt Striker (for frame profile) (E)	100 Pcs
213104	9/13 mm Axe - Door Locking Bolt Striker (for aluminium doorstep profile) (E)	100 Pcs



ROTAX Espagnolettes With Lock For Doors

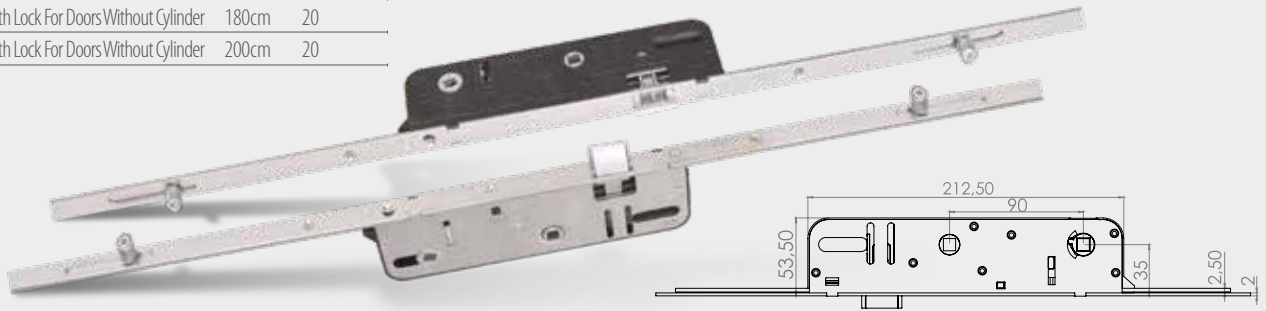
Kilitli kapı ispanyoleti / Шпингалеты с дверными замками

Code	Item Description	Size	Quantity
EKK 01	Espagnolette With Lock For Doors	160cm	20
EKK 02	Espagnolette With Lock For Doors	180cm	20
EKK 03	Espagnolette With Lock For Doors	200cm	20

**ROTAX Espagnolette With Lock For Doors Without Cylinder**

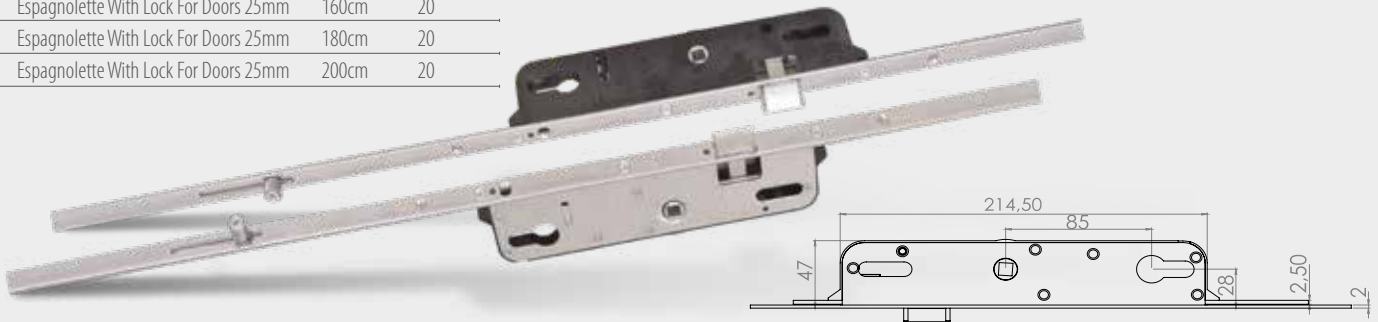
Kilitli kapı ispanyoleti barelsiz / Шпингалеты с дверными замками без цилиндра

Code	Item Description	Size	Quantity
EKK 04	Espagnolette With Lock For Doors Without Cylinder	160cm	20
EKK 05	Espagnolette With Lock For Doors Without Cylinder	180cm	20
EKK 06	Espagnolette With Lock For Doors Without Cylinder	200cm	20

**ROTAX Espagnolettes With Lock For Doors 25mm**

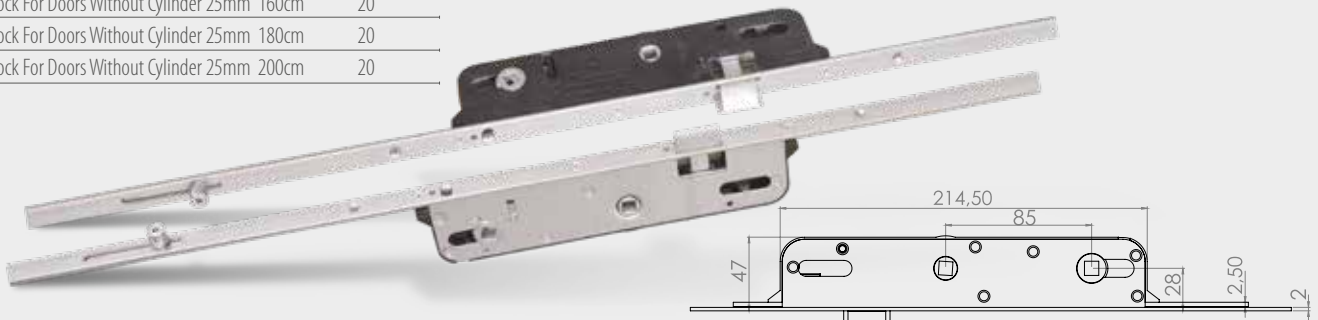
Kilitli kapı ispanyoleti 25mm / Шпингалеты с дверными замками 25mm

Code	Item Description	Size	Quantity
EKK07	Espagnolette With Lock For Doors 25mm	160cm	20
EKK08	Espagnolette With Lock For Doors 25mm	180cm	20
EKK09	Espagnolette With Lock For Doors 25mm	200cm	20

**ROTAX Espagnolette With Lock For Doors Without Cylinder 25mm**

Kilitli kapı ispanyoleti barelsiz 25mm / Шпингалеты с дверными замками без цилиндра 25mm

Code	Item Description	Size	Quantity
EKK10	With Lock For Doors Without Cylinder 25mm	160cm	20
EKK11	With Lock For Doors Without Cylinder 25mm	180cm	20
EKK12	With Lock For Doors Without Cylinder 25mm	200cm	20



Room Door Lock of Reel - Aluminium

Makaralı, oda kapı kilidi - Alüminyum / Комнатные дверные замки роликовые - Алюминиевый
قفل الباب مع اسطوانة

Code	Item Description	Quantity
PVC 515112	25x85x15-16x240 PVC MK/M	40
PVC 515114	35x85x15-16x240 PVC MK/M	40
ALU 515312	25x85x15-23x240 PVC MK/M	40
ALU 515314	35x85x15-23x240 PVC MK/M	40



Door Lock With Cylinde - Aluminium

Silindirli kapı kilidi - Alüminyum / Дверные замки с цилиндром - Алюминиевый
قفل الباب مع اسطوانة

Code	Item Description	Quantity
PVC 515102	25x85x15-16x240 PVC/M	40
PVC 515104	35x85x15-16x240 PVC/M	40
ALU 515302	25x85x15-23x240 PVC/M	40
ALU 515304	35x85x15-23x240 PVC/M	40



Bath and WC Door Lock - Aluminium

Banyo ve WC kapı kilidi - Alüminyum / Замки для Упорной - Алюминиевый
قفل الباب حمام ومرحاض

Code	Item Description	Quantity
PVC 515122	25x90x15-16x240 PVC WC/M	40
PVC 515124	35x90x15-16x240 PVC WC/M	40
ALU 515322	25x90x15-23x240 PVC WC/M	40
ALU 515324	35x90x15-23x240 PVC WC/M	40



Room Door Lock of Reel - PVC

Makaralı, oda kapı kilidi - PVC / Комнатные дверные замки роликовые - ПВХ
قفل الباب مع اسطوانة

Code	Item Description	Quantity
PVC 515212	25x85x15-16x240 PVC MK/P	40
PVC 515214	35x85x15-16x240 PVC MK/P	40
ALU 515412	25x85x15-23x240 PVC MK/P	40
ALU 515414	35x85x15-23x240 PVC MK/P	40



Door Lock With Cylinde - PVC

Silindirli kapı kilidi - PVC / Дверные замки с цилиндром - ПВХ
قفل الباب مع اسطوانة

Code	Item Description	Quantity
PVC 515202	25x85x15-16x240 PVC/P	40
PVC 515204	35x85x15-16x240 PVC/P	40
ALU 515402	25x85x15-23x240 PVC/P	40
ALU 515404	35x85x15-23x240 PVC/P	40



Bath and WC Door Lock - PVC

Banyo ve WC kapı kilidi - PVC / Замки для Упорной - ПВХ
قفل الباب حمام ومرحاض

Code	Item Description	Quantity
PVC 515222	25x90x15-16x240 PVC WC/P	40
PVC 515224	35x90x15-16x240 PVC WC/P	40
ALU 515422	25x90x15-23x240 PVC WC/P	40
ALU 515424	35x90x15-23x240 PVC WC/P	40

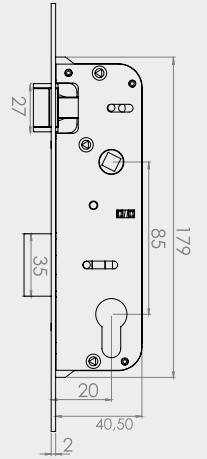


ROTAX Door Lock With Cylinder - PVC 20mm

Silindirli kapi kilidi - PVC 20mm / Дверные замки с цилиндром - ПВХ 20мм / قفل الباب مع اسطوانة

Product code : 232P20

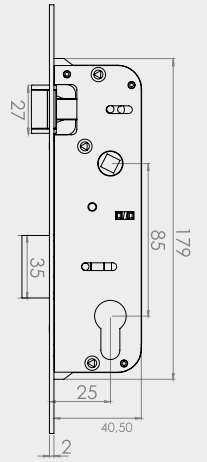
• Quantity : 40 Pcs

**ROTAX Door Lock With Cylinder - PVC 25mm**

Silindirli kapi kilidi - PVC 25mm / Дверные замки с цилиндром - ПВХ 25мм / قفل الباب مع اسطوانة

Product code : 222P25

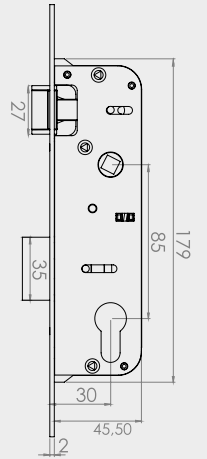
• Quantity : 40 Pcs

**ROTAX Door Lock With Cylinder - PVC 30mm**

Silindirli kapi kilidi - PVC 30mm / Дверные замки с цилиндром - ПВХ 30мм / قفل الباب مع اسطوانة

Product code : 212P30

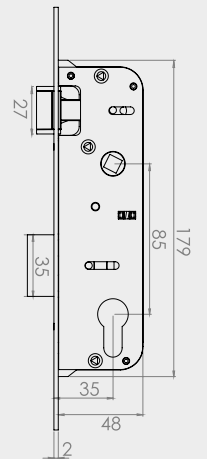
• Quantity : 40 Pcs

**ROTAX Door Lock With Cylinder - PVC 35mm**

Silindirli kapi kilidi - PVC 35mm / Дверные замки с цилиндром - ПВХ 35мм / قفل الباب مع اسطوانة

Product code : 202P35

• Quantity : 40 Pcs

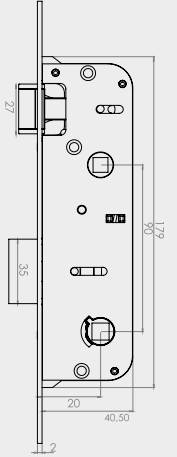


ROTAX Bath and WC Door Lock - PVC 20mm

Banyo ve WC kapı kilidi - PVC 20mm / Замки для Упорной - ПВХ 20мм / قفل الباب حمام ومرحاض

Product code : 233P20

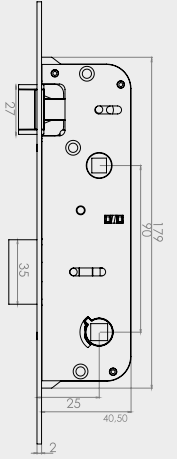
• Quantity : 40 Pcs

**ROTAX Bath and WC Door Lock - PVC 25mm**

Banyo ve WC kapı kilidi - PVC 25mm / Замки для Упорной - ПВХ 25мм / قفل الباب حمام ومرحاض

Product code : 223P25

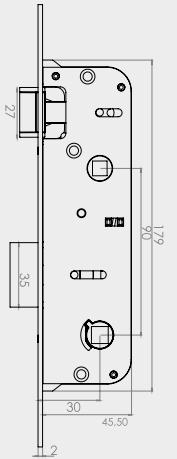
• Quantity : 40 Pcs

**ROTAX Bath and WC Door Lock - PVC 30mm**

Banyo ve WC kapı kilidi - PVC 30mm / Замки для Упорной - ПВХ 30мм / قفل الباب حمام ومرحاض

Product code : 213P30

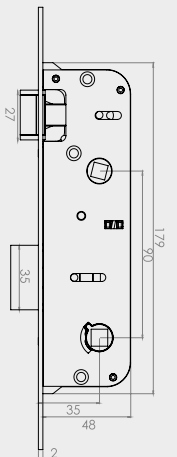
• Quantity : 40 Pcs

**ROTAX Bath and WC Door Lock - PVC 35mm**

Banyo ve WC kapı kilidi - PVC 35mm / Замки для Упорной - ПВХ 35мм / قفل الباب حمام ومرحاض

Product code : 203P35

• Quantity : 40 Pcs

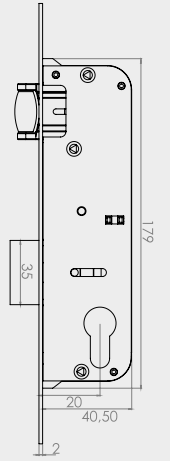


ROTAX Room Door Lock With Reel - PVC 20mm

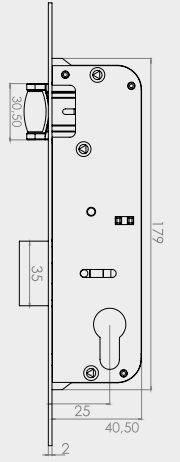
Makaralı, oda kapı kilidi - PVC 20mm / Комнатные дверные замки роликовые - ПВХ 20мм / قفل الباب مع اسطوانة

Product code : 501P20

• Quantity : 40 Pcs

**ROTAX Room Door Lock With Reel - PVC 25mm**

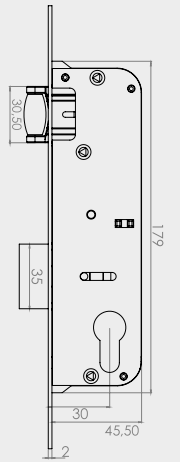
Makaralı, oda kapı kilidi - PVC 25mm / Комнатные дверные замки роликовые- ПВХ 25мм / قفل الباب مع اسطوانة

Product code : 511P25**ROTAX Room Door Lock With Reel - PVC 30mm**

Makaralı, oda kapı kilidi - PVC 30mm / Комнатные дверные замки роликовые - ПВХ 30мм / قفل الباب مع اسطوانة

Product code : 521P30

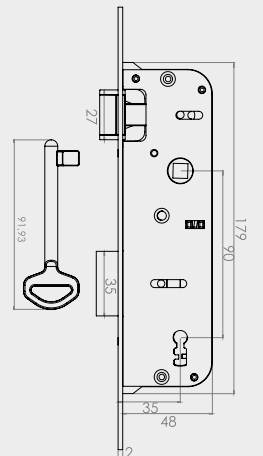
• Quantity : 40 Pcs

**ROTAX Room Door Lock With Reel - PVC 35mm**

Oda kapı kilidi - PVC 35mm / Комнатные дверные замки - ПВХ 35мм / قفل الباب غرفة

Product code : 201P35

• Quantity : 40 Pcs

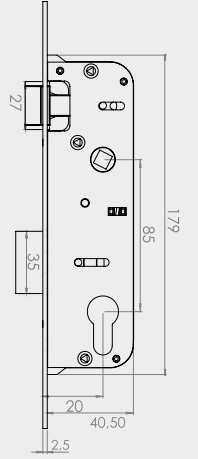


ROTAX Door Lock With Cylinder - Aluminium 20mm

Silindirli kapı kilidi - Alüminyum - 20mm / Дверные замки с цилиндром- Алюминиевый 20мм / قفل الباب مع اسطوانة

Product code : 332A20

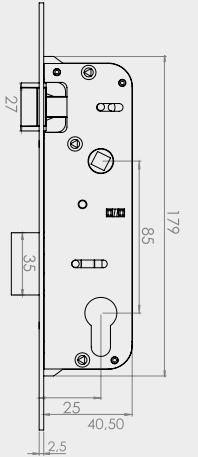
• Quantity : 40 Pcs

**ROTAX Door Lock With Cylinder - Aluminium 25mm**

Silindirli kapı kilidi - Alüminyum - 25mm / Дверные замки с цилиндром- Алюминиевый 25мм / قفل الباب مع اسطوانة

Product code : 322A25

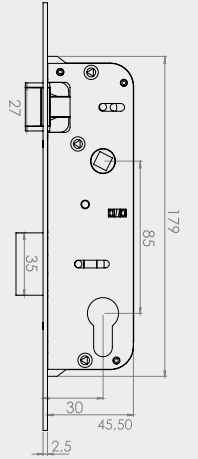
• Quantity : 40 Pcs

**ROTAX Door Lock With Cylinder - Aluminium 30mm**

Silindirli kapı kilidi - Alüminyum - 30mm / Дверные замки с цилиндром- Алюминиевый 30мм / قفل الباب مع اسطوانة

Product code : 312A30

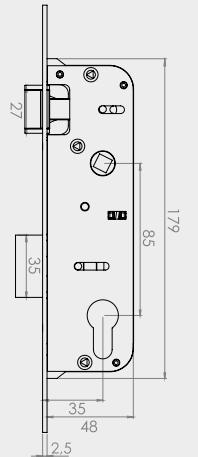
• Quantity : 40 Pcs

**ROTAX Door Lock With Cylinder - Aluminium 35mm**

Silindirli kapı kilidi - Alüminyum - 35mm / Дверные замки с цилиндром- Алюминиевый 35мм / قفل الباب مع اسطوانة

Product code : 302A35

• Quantity : 40 Pcs

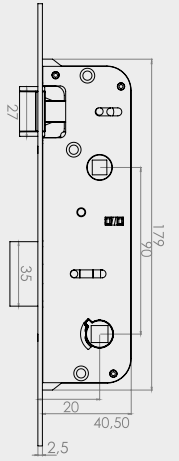


ROTAX Bath and WC Door Lock - Aluminium 20mm

Banyo ve WC kapı kilidi - Alüminyum 20mm / Замки для Упорной - Алюминиевый 20мм / قفل الباب حمام ومرحاض

Product code : 333A20

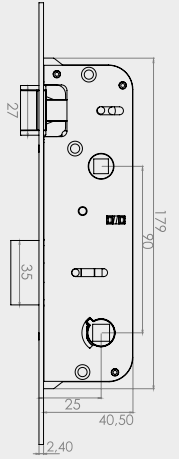
• Quantity : 40 Pcs

**ROTAX Bath and WC Door Lock - Aluminium 25mm**

Banyo ve WC kapı kilidi - Alüminyum 25mm / Замки для Упорной - Алюминиевый 25мм / قفل الباب حمام ومرحاض

Product code : 323A25

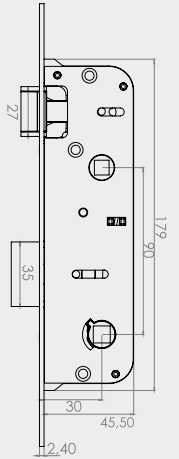
• Quantity : 40 Pcs

**ROTAX Bath and WC Door Lock - Aluminium 30mm**

Banyo ve WC kapı kilidi - Alüminyum 30mm / Замки для Упорной - Алюминиевый 30мм / قفل الباب حمام ومرحاض

Product code : 313A30

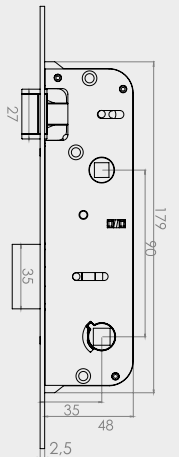
• Quantity : 40 Pcs

**ROTAX Bath and WC Door Lock - Aluminium 35mm**

Banyo ve WC kapı kilidi - Alüminyum 35mm / Замки для Упорной - Алюминиевый 35мм / قفل الباب حمام ومرحاض

Product code : 303A35

• Quantity : 40 Pcs

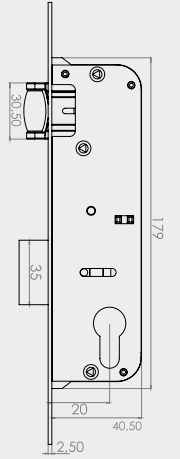


ROTAX Room Door Lock of Reel - Aluminium 20mm

Makaralı, oda kapı kilidi - Alüminyum 20mm / Комнатные дверные замки роликовые- Алюминиевый 20мм / قفل الباب مع اسطوانة

Product code : 601A20

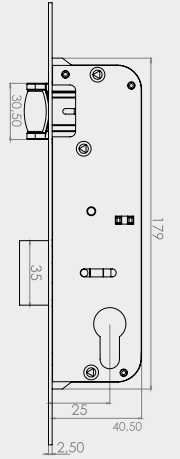
• Quantity : 40 Pcs

**ROTAX Room Door Lock of Reel - Aluminium 25mm**

Makaralı, oda kapı kilidi - Alüminyum 25mm / Комнатные дверные замки роликовые- Алюминиевый 25мм / قفل الباب مع اسطوانة

Product code : 611A25

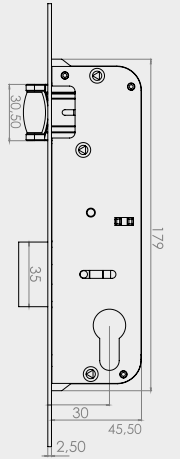
• Quantity : 40 Pcs

**ROTAX Room Door Lock of Reel - Aluminium 30mm**

Makaralı, oda kapı kilidi - Alüminyum 30mm / Комнатные дверные замки роликовые- Алюминиевый 30мм / قفل الباب مع اسطوانة

Product code : 621A30

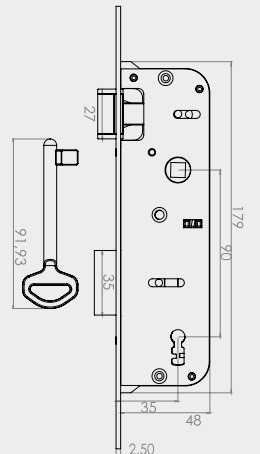
• Quantity : 40 Pcs

**ROTAX Room Door Lock - Aluminium 35mm**

Oda kapı kilidi - Alüminyum 35mm / Комнатные дверные замки - Алюминиевый 35мм / قفل الباب غرفة

Product code : 301A35

• Quantity : 40 Pcs

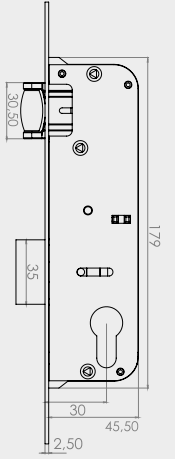


ROTAX Wood Room Door Lock - 35mm

Ağşap oda kapı kilidi - 35mm (Plastik dilli) / Замки для деревянных комнатных дверей - 35мм / قفل الباب مع اسطوانة

Product code : 003 P35

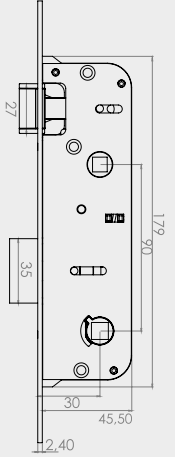
• Quantity : 40 Pcs

**ROTAX Wood Room Door Lock - 35mm**

Ağşap oda kapı kilidi - 35mm (Plastik dilli) / Замки для деревянных комнатных дверей - 35мм / قفل الباب حمام ومرحاض

Product code : 002 P35

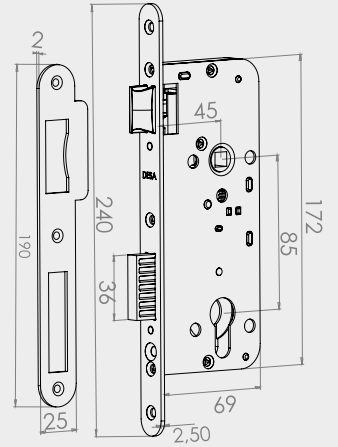
• Quantity : 40 Pcs

**ROTAX Wood Room Door Lock - 45mm**

Silindirli ağşap oda kapı kilidi - 45mm (Metal dilli) / Замки для деревянных комнатных дверей - 45мм / قفل الباب مع اسطوانة للخشب

Product code : 2002

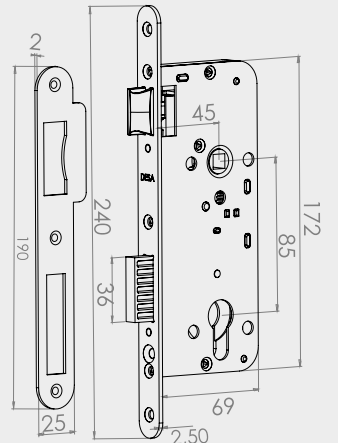
• Quantity : 40 Pcs

**ROTAX Wood Room Door Lock - 45mm**

Silindirli ağşap oda kapı kilidi - 45mm (Plastik dilli) / Замки для деревянных комнатных дверей - 45мм / قفل الباب مع اسطوانة للخشب

Product code : 3002

• Quantity : 40 Pcs

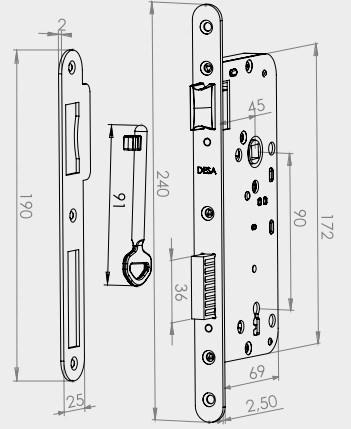


ROTAX Wood Room Door Lock - 45mm

Ahşap oda kapı kilidi - 45mm (Metal dilli) / Замки для деревянных комнатных дверей - 45мм / قفل الباب غرفة للخشب

Product code : 2001 A45

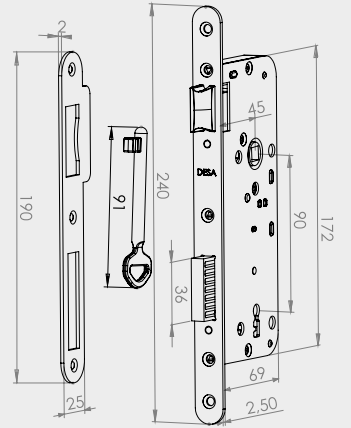
• Quantity : 40 Pcs

**ROTAX Wood Room Door Lock - 45mm**

Ahşap oda kapı kilidi - 45mm (Plastik dilli) / Замки для деревянных комнатных дверей - 45мм / قفل الباب غرفة للخشب

Product code : 3001 A45

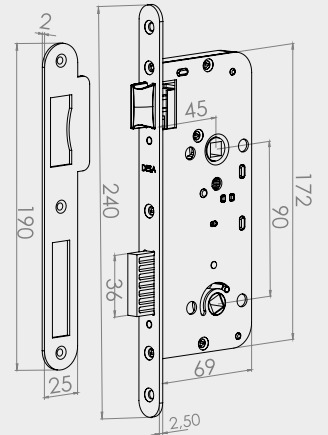
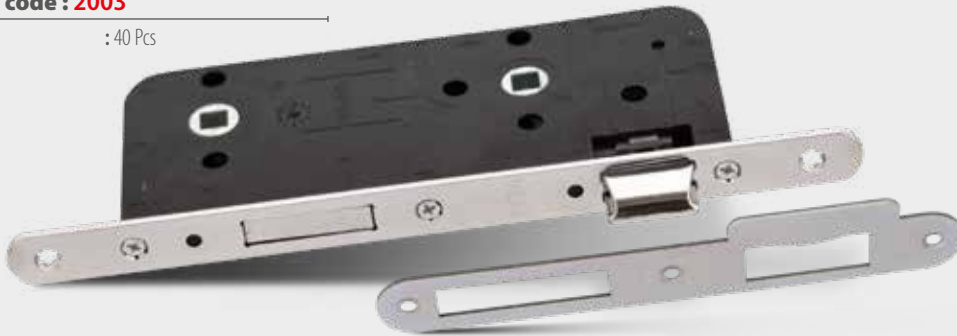
• Quantity : 40 Pcs

**ROTAX Wood Room Door Lock - 45mm**

Ahşap oda kapı kilidi - 45mm (Metal dilli) / Замки для деревянных комнатных дверей - 45мм / قفل الباب حمام ومرحاض للخشب

Product code : 2003

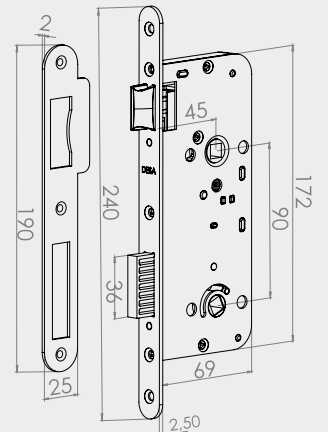
• Quantity : 40 Pcs

**ROTAX Wood Room Door Lock - 45mm**

Ahşap oda kapı kilidi - 45mm (Plastik dilli) / Замки для деревянных комнатных дверей - 45мм / قفل الباب حمام ومرحاض للخشب

Product code : 3003

• Quantity : 40 Pcs





FALCON
window systems

HINGES

EN

HINGES

- Hinges
- 3D Hinges

TR

MENTEŞELER

- Tek Açılım Menteşeler
- 3D Menteşeler

FR

Charnière

- Pommeles Fenetres
- Pommeles Portes Reglable

RU

ШАРНИРЫ

- Шарниры
- 3д Шарниры

AR

مفصلات

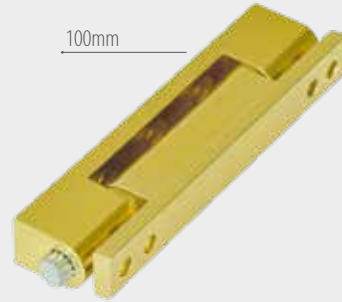
- مفصلات التوافذ
- مفصلات الباب 3D

ROTAX Hinge

Code	Item Description	Quantity
HNG 100	ROTAX Hinge 100mm	100

Color Option

Ral	9016	8003	8017	1019	7016	8022	9005	1013
Anodized	EF 01	EF 02	EF 03	EF 04	EF 06	EF 09		



Turn ART - Hinge ART

Code	Item Description	Quantity
HNG 300100	Turn Hinge 90mm	160
HNG 300120	Spacial Turn Hinge 90mm	160

Color Option

Ral	9016	8003	8017	1019	7016	8022	9005	1013

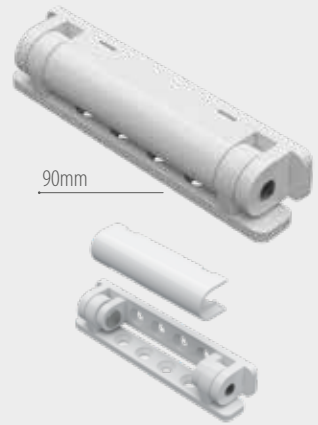
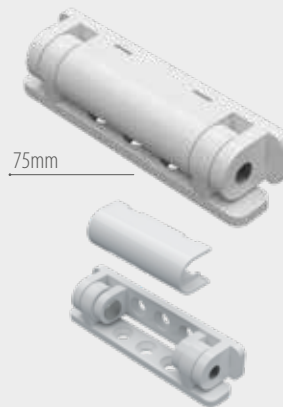


Comfy Hinge

Code	Item Description	Quantity
HNG 300200	Comfy Hinge 75mm	192
HNG 300220	Comfy Hinge 90mm	192

Color Option

Ral	9016	8003	8017	1019	7016	8022	9005	1013

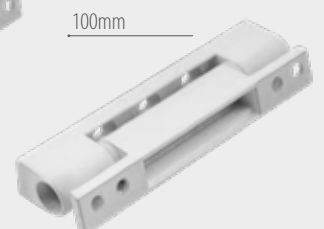
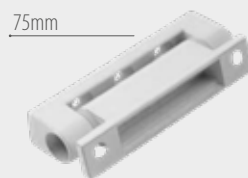


Zinc Hinge

Code	Item Description	Quantity
ZMK 75	Window Hinge 75mm	200
ZMK 95	Window Hinge 95mm	150
ZMK 100	Window Hinge 100mm	150

Color Option

Ral	9016	8003	8017	1019	7016	8022	9005	1013



FALCON - 3D Hinge

Code	Hinge	Overlap	Quantity
HNG 100150	105mm	14 - 18 mm	24 Pcs
HNG 100360	105mm	18 - 22 mm	24 Pcs

Color Option

Ral	9016	8003	8017	1019	7016	8022	9005	1013



- Weight capacity 120 kg
- Sash part length 105 mm
- Three-dimensionally adjustable: height +5/-1 mm; side +10/-5 mm; depth ±1 mm.
- Overlap thickness: 14-18 mm; 18-22 mm
- Made from steel and zamac alloy

Alpha - 3D Hinge

Code	Hinge	Overlap	Quantity
HNG 100009	90mm	14 - 18 mm	24 Pcs
HNG 100012	90mm	18 - 22 mm	24 Pcs
HNG 100000	110mm	14 - 18 mm	24 Pcs
HNG 100003	110mm	18 - 22 mm	24 Pcs

Color Option

Ral	9016	8003	8017	1019	7016	8022	9005	1013



- Weight capacity 120 kg
- Sash part length 110 mm
- Three-dimensionally adjustable: height +5/-1 mm; side +10/-5 mm; depth ±1 mm.
- Selectable overlap thicknesses: 14-18 mm; 18-22 mm; 22-26 mm
- Made from steel, min. 8 micron galvanized, covered by plastic, resistant to UV and freeze.

Avalon - 3D Hinge

Code	Hinge	Overlap	Quantity
HNG 100111	90mm	14 - 18 mm	24 Pcs
HNG 100116	90mm	18 - 22 mm	24 Pcs
HNG 100101	110mm	14 - 18 mm	24 Pcs
HNG 100106	110mm	18 - 22 mm	24 Pcs

Color Option

Ral	9016	8003	8017	1019	7016	8022	9005	1013



- Weight capacity 130 kg
- Sash part length 110 mm
- Three-dimensionally adjustable: height +5/-1 mm; side +10/-5 mm; depth ±1 mm.
- Selectable overlap thicknesses: 14-18 mm; 18-22 mm
- Made from zamac alloy

Babylon - 3D Hinge

Code	Hinge	Overlap	Quantity
HNG 100201	105mm	14 - 18 mm	24 Pcs
HNG 100211	105mm	18 - 22 mm	24 Pcs

Color Option

Ral	9016	8003	8017	1019	7016	8022	9005	1013



- Weight capacity 120 kg
- Sash part length 105 mm
- Three-dimensionally adjustable: height +5/-1 mm; side +10/-5 mm; depth ±1 mm.
- Overlap thickness: 14-18 mm; 18-22 mm
- Made from steel and zamac alloy

Aleon - 3D Hinge

Code	Hinge	Overlap	Quantity
HNG 100321	80mm	14 - 18 mm	24 Pcs
HNG 100331	80mm	18 - 22 mm	24 Pcs
HNG 100301	105mm	14 - 18 mm	24 Pcs
HNG 100311	105mm	18 - 22 mm	24 Pcs

Color Option

Ral	9016	8003	8017	1019	7016	8022	9005	1013



- Weight capacity 120 kg
- Sash part length 105 mm
- Three-dimensionally adjustable: height +5/-1 mm; side +10/-5 mm; depth ±1 mm.
- Overlap thickness: 14-18 mm; 18-22 mm
- Made from zamac alloy



FALCON
window systems

HARDWARE PARTS

EN

HARDWARE PARTS

- Sliding Bearings
- Mullion Connector Ties
- Espagnolette Receivers
- Vasistas Tilts
- Lock Strikes
- Door and Window Slides

TR

DONANIM PARÇALARI

- Sürme Rulmanlar
- Zamak Orta Kayıt Bağlantı Takozları
- Zamak İspanyolet Karşılıkları
- Vasistas Makaslar
- Kilit Karşılıkları
- Kapı ve Pencere Sürgüleri

FR

Autres Accessoires

- Roulettes Coulissantes
- Joint Mecanique
- Gaches De Fermetures
- Compa
- Reglage Porte
- Verrou

RU

ЧАСТИ ОБОРУДОВАНИЯ

- Подшипники Скольжения
- Соединительные Гайки
- Шпингалетная Фурнитура
- Фрамуг
- Противоударный Затвор
- Дверные и Оконные Слайды

AR

مستلزمات الابواب والنوافذ

- عجلات الانزلاق
- مثبتات الربط T
- مثبتات مزلاج اسبليونة
- مقص نافذة مشبكة
- مثبتات الأقفال لوجه الباب
- الشرائح الباب والنافذة

Code	Item Description	Quantity
SBZ 01	Sliding Roller Small (Implicit)	250 Pcs
SBZ 02	Sliding Roller Small (Implicit) Rice	250 Pcs



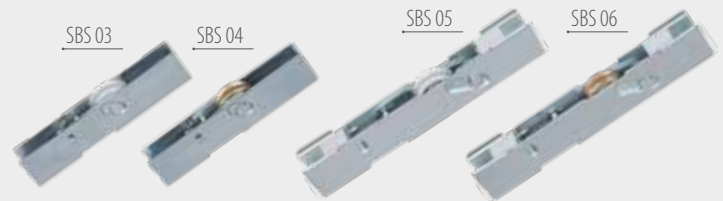
Code	Item Description	Quantity
SBS 01	Taurus Wheels (Winhouse)	400 Pcs
SBS 02	Taurus Wheels Double (Winhouse)	300 Pcs



Code	Item Description	Quantity
SBZ 03	Sliding Roller (Open Top)	300 Pcs
SBZ 04	Sliding Roller Small (Open Top) Rice	300 Pcs



Code	Item Description	Quantity
SBS 03	(Eco) Single Wheel	240 Pcs
SBS 04	(Eco) Single Wheel	240 Pcs
SBS 05	Single Wheel	240 Pcs
SBS 06	Single Wheel Rice	240 Pcs



Code	Item Description	Quantity
SBZ 05	Economic Wheels	400 Pcs
SBZ 06	Economic Wheels (Groove)	400 Pcs
SBZ 07	Sliding Roller (Rice)	350 Pcs



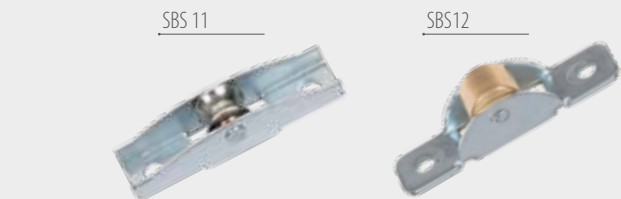
Code	Item Description	Quantity
SBS 07	(Eco) Sliding Roller Large (Double)	240 Pcs
SBS 08	(Eco) Sliding Roller Large (Double)	240 Pcs
SBS 09	Sliding Roller Large (Double)	240 Pcs
SBS 10	Sliding Roller Large (Double) Rice	240 Pcs



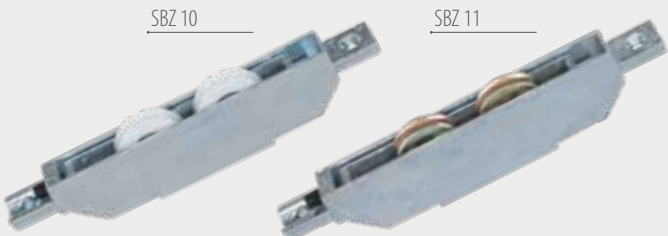
Code	Item Description	Quantity
SBZ 08	Sliding Roller Large (Door)	100 Pcs
SBZ 09	Sliding Roller Large (Rice)	100 Pcs



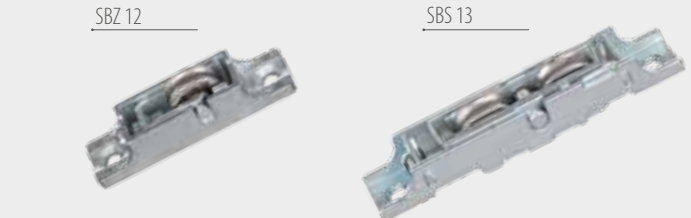
Code	Item Description	Quantity
SBS 11	Flyscreen Roller (Universal) Metal	2000 Pcs
SBS 12	Asas Flapper Wheel Series	600 Pcs

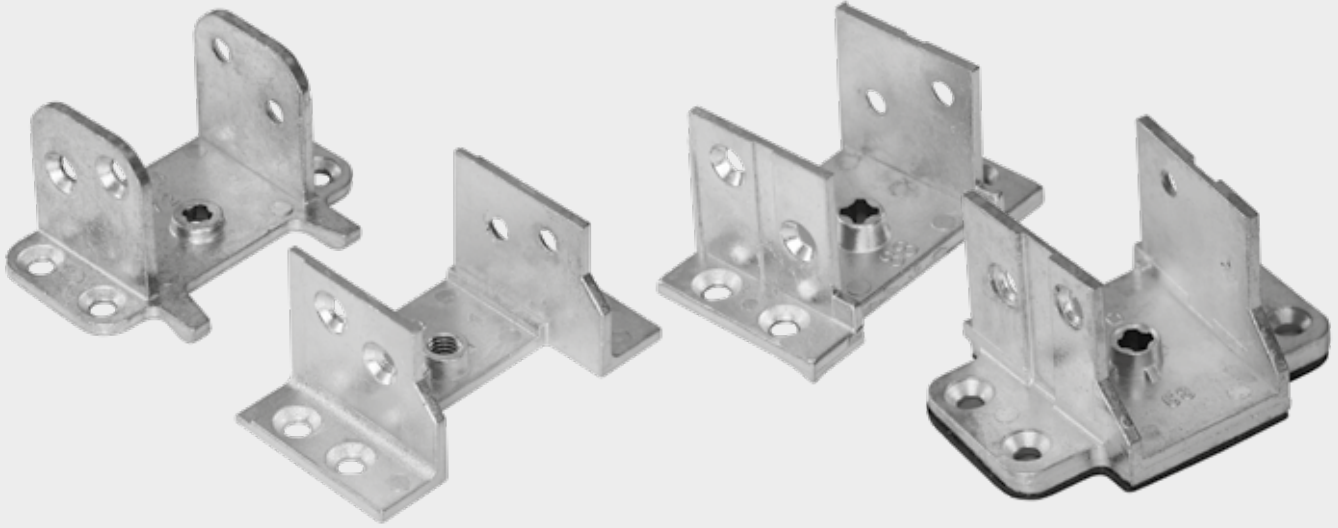


Code	Item Description	Quantity
SBZ 10	Sliding Roller Large (Double) Plastic	100 Pcs
SBZ 11	Sliding Roller Large (Double) Rice	100 Pcs



Code	Item Description	Quantity
SBS 13	Couple With Small Wheel	240 Pcs
SBZ 12	Small Sliding Wheel Set	240 Pcs





Mullion Connector Ties - Zinc Alloy

Code	Item Description	Code	Item Description	Code	Item Description
OKB 01	Teknoplas Startec, Dwt 7000 Serisi, Polipen 80 Seri	OKB 28	Naturel 7000, Pakpen Global	OKB 63	İnterpen 70
OKB 02	Firat Milenyum	OKB 29	Schonline 60	OKB 64	Kompen Sliding Kom 800
OKB 03	Polipen (P6003), Egepen Everest, Wintürk, Birpen 60, Teknowin	OKB 30	Schonline 70, Erpen Combiline 72 Seri	OKB 65	Ekopen 7000
OKB 04	Taurus (Best, Silver), Proline, Dwt 7000, Enderpen 70(Eko), Euroline60	OKB 31	Ice Goldwin	OKB 67	Firat Selenit 75 Seri
OKB 05	Wistabest	OKB 32	Krauss Proplex (Contasız)	OKB 68	Euroline
OKB 06	Egepen Zendow, Winsa	OKB 34	Kbe V132 (Contasız)	OKB 69	Desing
OKB 07	Polipen (P6004), Birpen 58, Winwhite 70 Seri	OKB 35	Pimaş Genel (6000), Kebanpen, Yelpen Smart (64)	OKB 70	Zendow
OKB 08	Pentech 6000, Akapen 7000	OKB 36	Salamander	OKB 71	Viva 70
OKB 09	Akapen Avantaj	OKB 37	Erpen (Tirent) Wintürk 60, Penhouse, Ventana 60, (Windor 60 Adopen)	OKB 72	Viva
OKB 10	Erpen Smartline	OKB 38	Europen 70 Seri. Adopen Atlantik	OKB 73	Adopen Wintech 60 4 Oda
OKB 11	Dwt, Teknoplas (Megatek), Pimapen Quadro, Enderpen 62, Enderpen 60	OKB 39	Kmg	OKB 74	Profilink CI Kulaklı
OKB 12	Fensterbaou (Fens 3600)	OKB 40	Naturel 62 (Yeni Seri)	OKB 75	Adopen 70
OKB 13	Yıldızpen Winka	OKB 41	Egepen Max	OKB 76	Teraplast
OKB 14	Parplast İnfinity (6032-Dar) Egepen (Max) ,Taurus 70	OKB 42	Pentime , Adopen Technowin	OKB 77	Egepen Max
OKB 15	Firat 7060, Pakpen Global (60 Seri) Karpen 60	OKB 43	Çağlarpen	OKB 78	Weisse 3 Oda
OKB 16	Alfapen Armada, Naturel (64) , Winwhite 70 Seri.europen 70-60 Karma	OKB 44	Profil Link	OKB 79	Salamander SI 76
OKB 17	Parplast, İnfinity 6042, Europen 7000 Seri	OKB 45	Windoline Ligh Serisi, Pensa 60 Seri	OKB 80	Salamander D2
OKB 18	Asaş (Hayat Serisi), Günel (Azelya) A Plast 60	OKB 46	Desa Metal Özel Alfa Plastik (Ekopen) Dişli	OKB 81	Ramplast - K
OKB 19	Akapen Mira, Karpen	OKB 47	Teknoplas Süpertec ,Birpen Rotoplast ,Durupen,Bilkapen 60,Pakpen Ryl.ide	OKB 82	Extru Plast Dök
OKB 20	Saraypen 601 (Dar)	OKB 48	Ram Plast, Europen 60	OKB 83	Ramplast
OKB 21	Dwt 5400, Pimaş (Maestro) , Penextra, Europen, Enderpen 70	OKB 49	Kmg	OKB 84	Teraplast 70
OKB 22	Kompen Kom 700 - 900	OKB 50	Desa Metal Özel Dişli	OKB 85	Kmg
OKB 23	Windoline, Uniplast, Euroline 70 Seri	OKB 51	Pentime 70, Plasthern 60	OKB 86	Brugman 70
OKB 24	Viva Plast	OKB 52	Desa Metal Özel Dişli	OKB 87	Weisse 70
OKB 25	Plaspen (432)	OKB 53	Desa Metal Özel	OKB 88	Ramplast 60 Klass 4
OKB 26	Pentech 7000, Adopen Akdeniz	OKB 54	Desa Metal Özel Ekopen 6000	OKB 89	S Line 8000
OKB 27	Esenpen Milenyum	OKB 55	Adopen Atlantik 70 Seri (Yeni) Polipen 70 Seri Yeni	OKB 90	Veka
		OKB 60	Pakpen Roval	OKB 91	Profilink 70
		OKB 62	Kompen Kom 700 - 900	OKB 92	Hammer
				OKB 93	Rol 70 Mm
				OKB 94	Rol 3D
				OKB 95	Alu 70 Mm
				OKB 96	Brugman 83

Product code : EZK 01

Item Description

Zinc espagnolette receivers

• Quantity : 1000

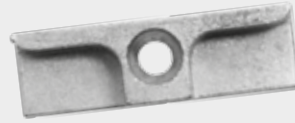


Product code : EZK 02

Item Description

Zinc espagnolette receivers

• Quantity : 1000

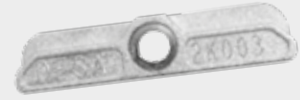


Product code : EZK 03

Item Description

Zinc espagnolette receivers

• Quantity : 1000



Product code : EZK 04

Item Description

Zinc espagnolette receivers

• Quantity : 1000



Product code : EZK 05

Item Description

Double wing espagnolette receiver

• Quantity : 500



Product code : EZK 06

Item Description

Zinc espagnolette receivers

• Quantity : 1000



Product code : EZK 07

Item Description

Zinc espagnolette receivers

• Quantity : 750



Product code : EZK 08

Item Description - HOIK

Zinc espagnolette receivers 9 Axe

• Quantity : 500



Product code : EZK 09

Item Description

Zinc espagnolette receivers 12 Axe

• Quantity : 500



Product code : EZK 10

Item Description

Zinc espagnolette receivers

• Quantity : 1000



Product code : EZK 11

Item Description

Zinc espagnolette receivers

• Quantity : 1000



Product code : EZK 12

Item Description

Zinc sliding espagnolette receivers

• Quantity : 750



Product code : EZK 13

Item Description

Zinc espagnolette receivers

• Quantity : 1000

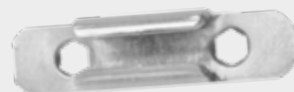


Product code : EZK14

Item Description

Steel receiver for sliding espagnolette

• Quantity : 500



Product code : EZK15

Item Description

Steel receiver for espagnolette receiver

• Quantity : 500



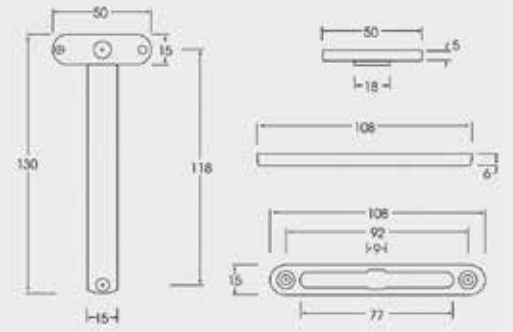
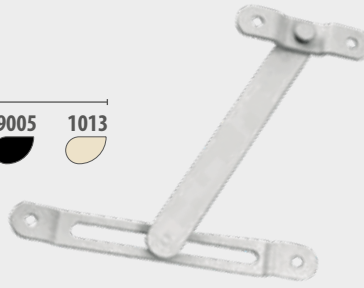
Aluminium Vasistas Tilt 13mm

Product code : **VSM 01**

Quantity : 400 Pcs

Color Option

Ral : 9016 8003 8017 1019 7016 8022 9005 1013



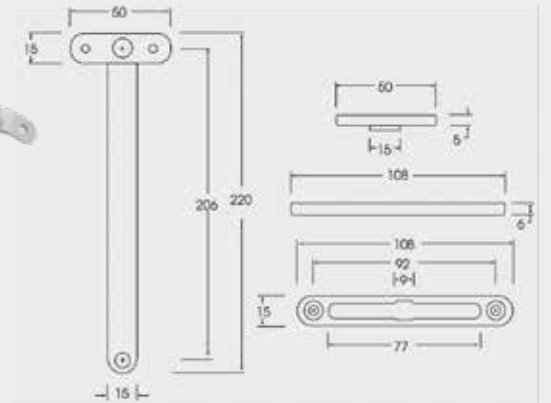
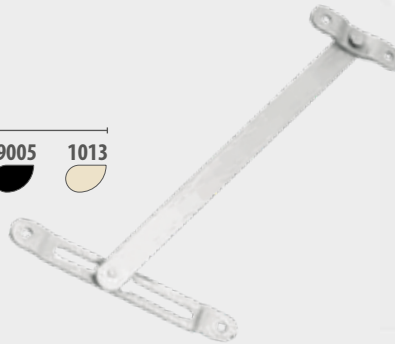
Aluminium Vasistas Tilt 22mm

Product code : **VSM 02**

Quantity : 300 Pcs

Color Option

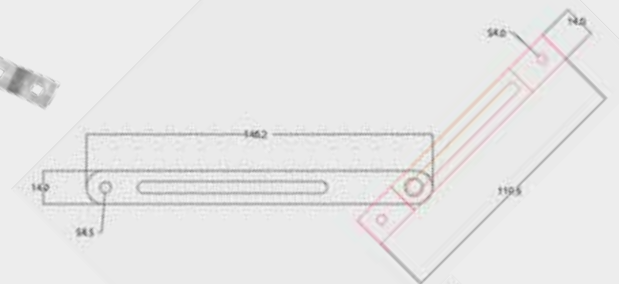
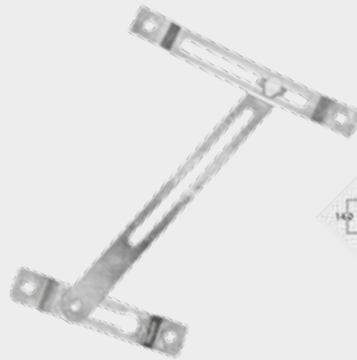
Ral : 9016 8003 8017 1019 7016 8022 9005 1013



Vasistas Tilt Steel 13mm

Product code : **VSM 03**

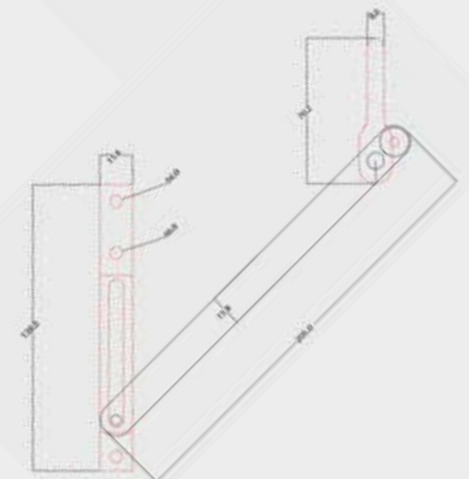
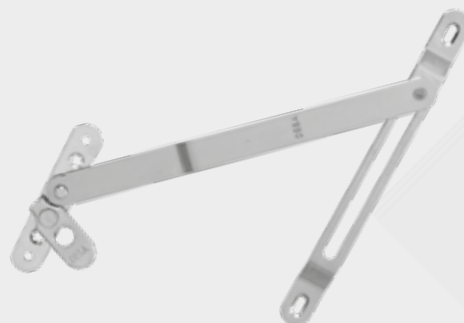
Quantity : 200 Pcs



Vasistas Tilt Steel 22mm

Product code : **VSM 04**

Quantity : 150 Pcs



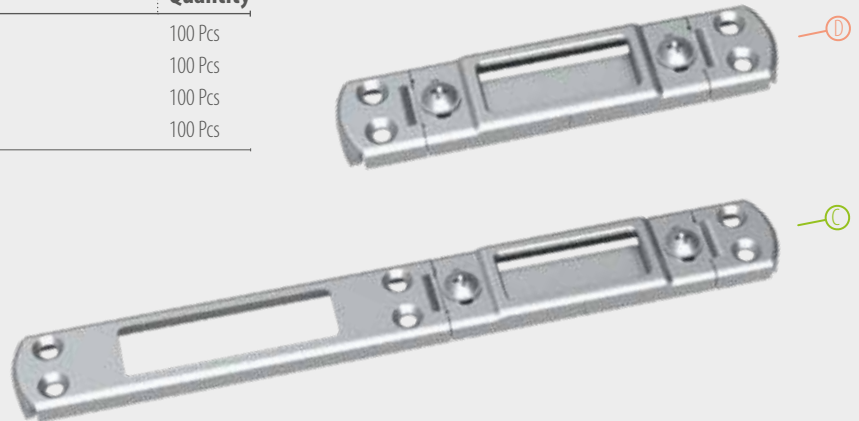
reze Multipoint Door Lock Strikers

Code	Item Description	Quantity
405101	13mm Axe - Large (Right) C	100 Pcs
405102	13mm Axe - Large (Left) C	100 Pcs
405103	13mm Axe - Small (Universal) D	100 Pcs
405501	9mm Axe - Large (Right) C	100 Pcs
405502	9mm Axe - Large (Left) C	100 Pcs
405503	9mm Axe - Small (Universal) D	100 Pcs



reze Multipoint Door Lock Strikers - FLEX

Code	Item Description	Quantity
405104	Multi-Point Door Lock Striker FLEX 13 mm C	100 Pcs
405105	Multi-Point Door Lock Striker FLEX 13 mm D	100 Pcs
405504	Multi-Point Door Lock Striker FLEX UNIVERSAL C	100 Pcs
405505	Multi-Point Door Lock Striker FLEX UNIVERSAL D	100 Pcs



reze Magnetic Balcony Door Catch

مثبت المغناطيسي

Code	Item Description	Quantity
216101	Magnetic Balcony Door Catch - 13 Axe	100 Pcs
216501	Magnetic Balcony Door Catch - 9 Axe	100 Pcs



Casement part installation
13 mm or 9 mm Axe variations

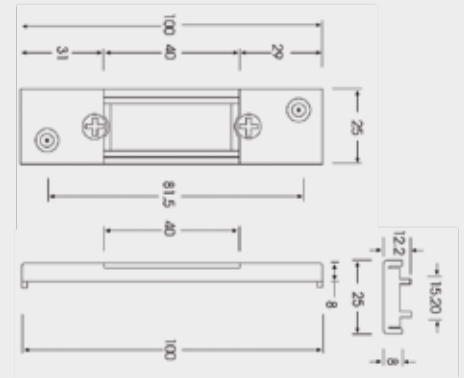
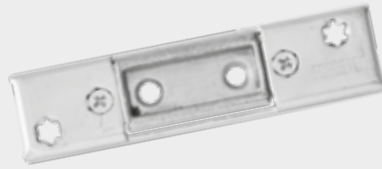


Frame part installation

Universal Adjustable Lock Striker Short

Product code : **KKA01**

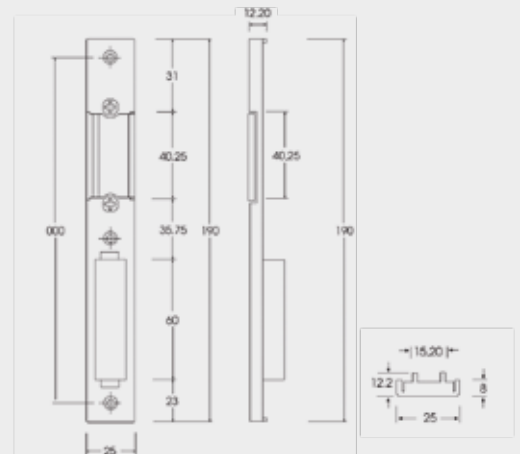
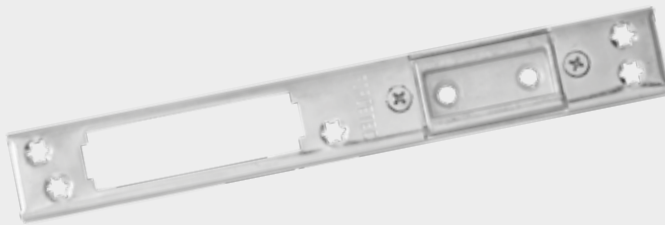
Quantity : 200 Pcs



Universal Adjustable Lock Striker Long

Product code : **KKA02**

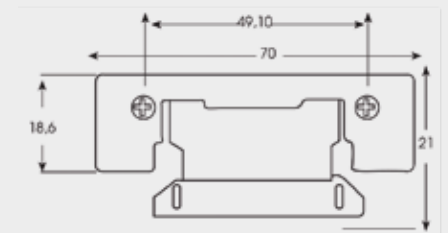
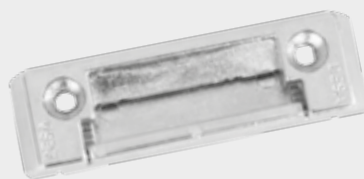
Quantity : 100 Pcs



Adjustable Lock Striker ST1

Product code : **KKA03**

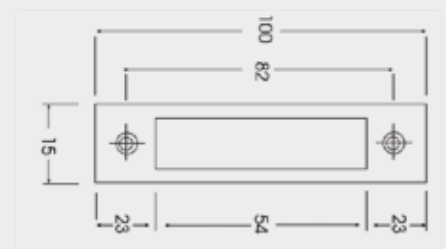
Quantity : 200 Pcs



Lock Striker ST2

Product code : **KKA04**

Quantity : 200 Pcs

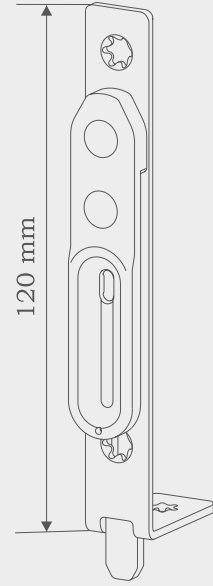


Locking Bolt Short

الشرائح النافذة

Code	Item Description	Quantity
KKS 202143	Locking plate - bolt	200

- KKS 213501 Locking plate bolt sticker - 9 Axe
- KKS 213101 Locking plate bolt sticker - 13 Axe

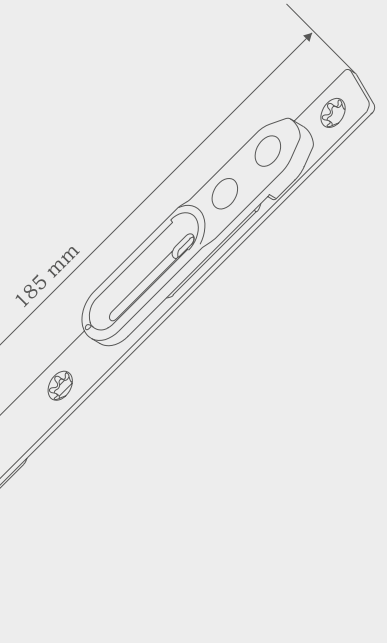


Locking Bolt Long

الشرائح النافذة

Code	Item Description	Quantity
KKS 202142	Locking Plate - Bolt	

- KKS 213501 Locking plate bolt sticker - 9 Axe
- KKS 213101 Locking plate bolt sticker - 13 Axe

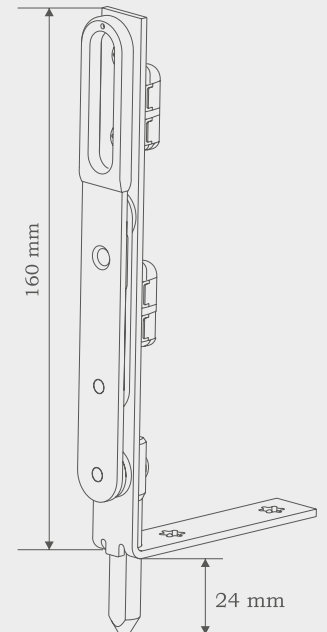
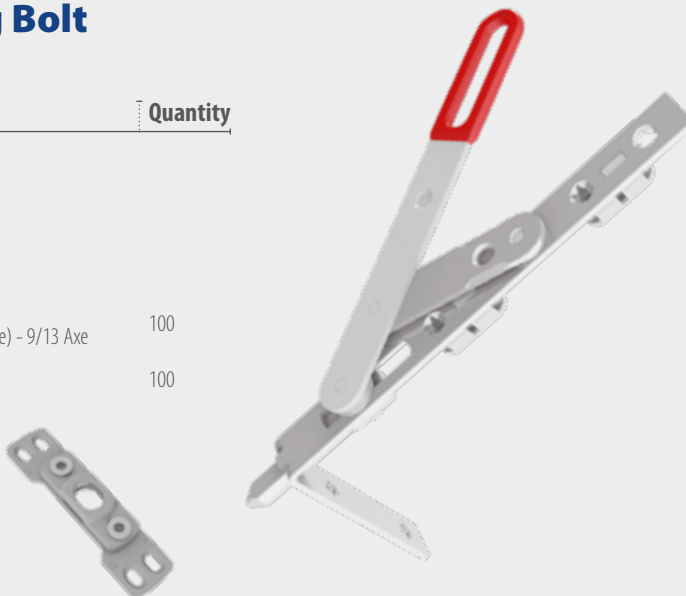


Door Locking Bolt

الشرائح الباب

Code	Item Description	Quantity
KKS 202144	Door Locking Bolt Striker	

- KKS 213104 Door Locking Bolt Striker (for aluminium doorstep profile) - 9/13 Axe 100
- KKS 213103 Door Locking Bolt Striker (for frame profile) - 9/13 Axe 100



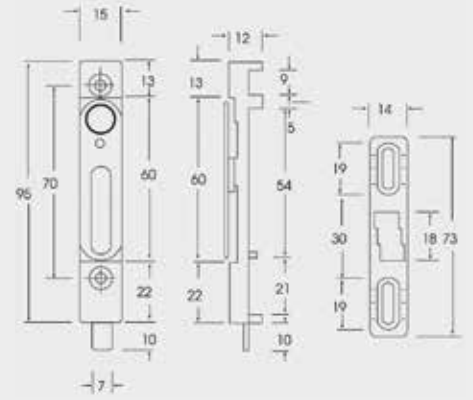
Wing Slide With Latch Short

الشرائح النافذة

Product code : **SRG 01**

Technical Information

- Material : Zinc Alloy
- Quatity : 100 Pcs



Wing Slide Short

الشرائح النافذة

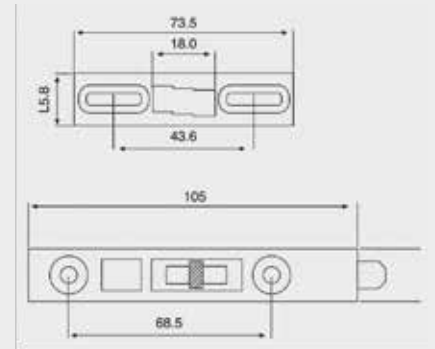
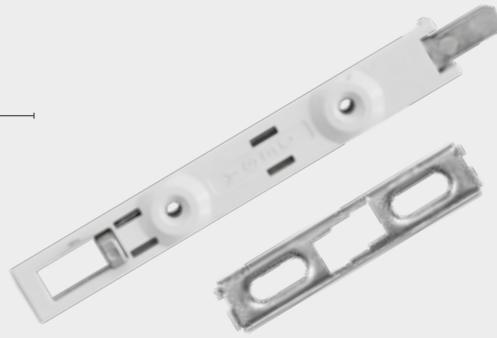
Product code : **SRG 02**

Technical Information

- Material : Zinc Alloy
- Quatity : 200 Pcs

Color Option

- Ral : 9016 8003 8017
-



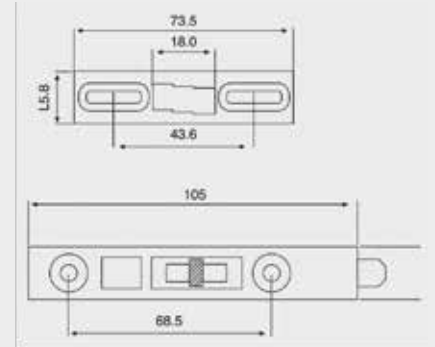
Wing Slide Short

الشرائح النافذة

Product code : **SRG 03**

Technical Information

- Material : Zinc Alloy
- Quatity : 100 Pcs



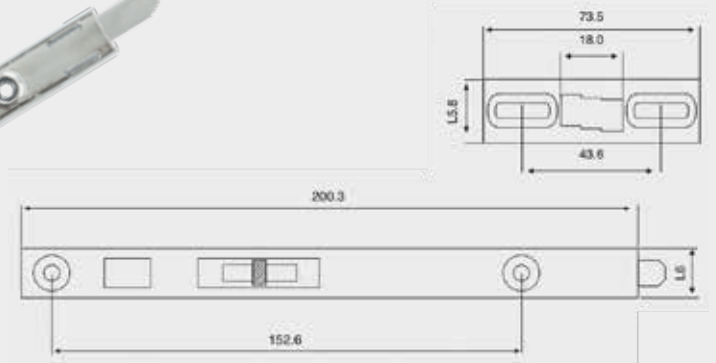
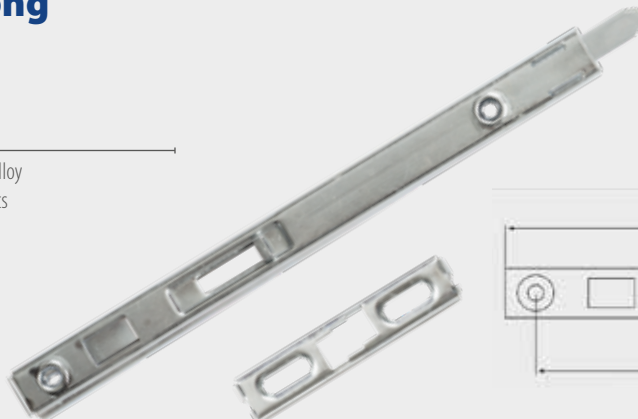
Wing Slide Long

الشرائح النافذة

Product code : **SRG 04**

Technical Information

- Material : Zinc Alloy
- Quatity : 100 Pcs





FALCON
window systems

VARIOUS ACCESSORIES

EN

VARIOUS ACCESSORIES

- Lock Cylinders
- Screws
- Safety Locky

TR

ÇEŞİTLİ AKSESUARLAR

- Kilit Bareller
- Vidalar
- Emniyet Kilidi

FR

AUTRES ACCESSOIRES

- Canon de Condanation
- Groupe de Visse
- Loquetaux Reglable

RU

РАЗЛИЧНЫЕ АКССУАРЫ

- Цилиндры Блокировки
- Винты
- Предохранительный Замок

AR

ملحقات مختلفة

- اسطوانات قفل
- مسامير
- قفل أمان

All Brass Cylinders (ENİGMA)

Tamamı prinç bareller / Блокировочные цилиндры

Code	Type	Dimensios	Quantity
LCR 01	62 mm CP / SN	26x10x26	100
LCR 02	68 mm CP / SN	26x10x32	100
LCR 03	68 mm SN 5 CK	26x10x32	50
LCR 04	80 mm CP / SN	35x10x35	100
LCR 05	80 mm SN 5 CK Tokmaklı (With Knob)	35x10x35	50
LCR 06	83 mm CP / SN	33x10x40	100
LCR 07	83 mm SN 5 CK	33x10x40	50
LCR 08	90 mm CP / SN Simetrik (Sym Metrical)	40x10x40	100
LCR 09	90 mm SN 5 CK	35x10x45	50
LCR 10	90 mm SN 5 CK Simetrik (Sym Metrical)	40x10x40	50
LCR 11	91 mm CP / SN	26x10x55	100
LCR 12	100 mm SN / CP	40x10x50	100
LCR 13	105 mm CP / SN	35x10x60	80
LCR 14	110 mm CP / SN	45x10x55	50
LCR 15	120 mm CP / SN	50x10x60	50



* Special measures manufacturing is welcome for appropriate amount of orders (we kindly ask you to contact us for the required amount per size)

*Uygun sipariş adeti doğrultusunda özel ölçü imalatı mümkündür

Brass Cylinders With Zinc Shell (TECHMAT)

Zamak gövdeli prinç bareller / Блокировочные цилиндры

Code	Type	Dimensios	Quantity
LCZ 01	68 mm CP	26x10x32	100
LCZ 02	83 mm CP	33x10x40	100
LCZ 03	90 mm CP	35x10x45	100
LCZ 04	100 mm CP	40x10x50	100
LCZ 05	90 mm CP Tokmaklı (With Knob)	40x10x40	100
LCZ 06	90 mm CP Tokmaklı (With Knob)	35x10x45	100
LCZ 07	100 mm CP Tokmaklı (With Knob)	45x10x45	100
LCZ 08	100 mm CP Tokmaklı (With Knob)	40x10x50	100



All Zinc Cylinders With Brass Keys (EKOM)

Prinç anahtarlı, tamamı prinç bareller / Блокировочные цилиндры

Code	Type	Dimensios	Quantity
LCZ 09	83mm CP ZAMAK BAREL 2 / 3 K	33x10x40	100
LCZ 10	90mm CP ZAMAK BAREL 2 / 3 K	35x10x45	100
LCZ 11	90mm CP ZAMAK BAREL 5 CK (Demir / Iron)	35x10x45	100



Chip Board Screws

Sunta vidaları / Винт для ДСП

Code	Type	Quantity	Box Content	Gross Weight
SCW 01	3,5 x 13	1000	30.000	18,40
SCW 02	3,5 x 16	1000	30.000	23,70
SCW 03	3,5 x 18	1000	30.000	24,99
SCW 04	3,5 x 20	1000	20.000	18,50
SCW 05	3,5 x 25	1000	20.000	21,50
SCW 06	3,5 x 30	1000	16.000	20,50
SCW 07	3,5 x 35	1000	13.000	19,40
SCW 08	3,5 x 40	500	10.000	17,40
SCW 09	3,5 x 45	500	8.000	15,24
SCW 10	3,5 x 50	500	6.500	14,40
SCW 11	4,0 x 16	1000	20.000	20,10
SCW 12	4,0 x 18	1000	20.000	22,60
SCW 13	4,0 x 20	1000	20.000	24,30
SCW 14	4,0 x 25	500	15.000	20,70
SCW 15	4,0 x 30	500	10.000	16,90
SCW 16	4,0 x 35	500	10.000	19,00
SCW 17	4,0 x 40	500	8.000	17,90
SCW 18	4,0 x 45	500	6.500	16,70
SCW 19	4,0 x 50	500	6.500	16,90
SCW 20	4,0 x 60	200	3.200	10,30
SCW 21	4,0 x 70	200	3.200	11,62

Code	Type	Quantity	Box Content	Gross Weight
SCW 22	5,0 x 20	500	10.000	20,10
SCW 23	5,0 x 25	500	10.000	24,20
SCW 24	5,0 x 30	200	6.000	16,60
SCW 25	5,0 x 35	200	6.000	19,57
SCW 26	5,0 x 40	200	4.000	13,87
SCW 27	5,0 x 45	200	4.000	16,30
SCW 28	5,0 x 50	200	4.000	16,85
SCW 29	5,0 x 60	200	3.200	16,35
SCW 30	5,0 x 70	200	2.600	15,72
SCW 31	5,0 x 80	200	2.600	16,48
SCW 32	5,0 x 90	100	1.300	9,94
SCW 33	5,0 x 100	100	1.300	10,99
SCW 34	6,0 x 30	200	4.000	18,30
SCW 35	6,0 x 40	200	2.600	13,98
SCW 36	6,0 x 50	200	2.600	17,00
SCW 37	6,0 x 60	200	2.600	19,30
SCW 38	6,0 x 70	100	2.000	17,69
SCW 39	6,0 x 80	100	1.300	13,80
SCW 40	6,0 x 90	100	1.300	14,57
SCW 41	6,0 x 100	100	1.300	15,85
SCW 42	6,0 x 120	50	1.000	14,47

*Special measures manufacturing is welcome for appropriate amount of orders (we kindly ask you to contact us for the required amount per size)
*Uygun sipariş adeti doğrultusunda özel ölçü imalatı mümkündür



Drywall Screws Flat Head Wite Hi - LO Treads

HI - LO Dişli seyrek PVC vidaları / Гипсокартоновые винты с плоской головкой

Code	Type	Box Content	Gross Weight
SCW 44	3,9 x 19 YHB HI-LO	20.000	22,22
SCW 45	3,9 x 22 YHB HI-LO	15.000	18,70
SCW 46	3,9 x 25 YHB HI-LO	12.000	16,84
SCW 47	3,9 x 32 YHB HI-LO	10.000	17,80
SCW 48	3,9 x 38 YHB HI-LO	8.000	16,16
SCW 49	4,2 x 32 YHB HI-LO	8.000	16,88

Code	Type	Box Content	Gross Weight
SCW 50	4,2 x 38 YHB HI-LO	6.000	14,74
SCW 51	4,2 x 45 YHB HI-LO	5.000	13,70
SCW 52	4,8 x 38 YHB HI-LO	5.000	30,00

*Special measures manufacturing is welcome for appropriate amount of orders (we kindly ask you to contact us for the required amount per size)

*Uygun sipariş adeti doğrultusunda özel ölçü imalatı mümkündür



Metric Threads Screws

Metrik vidaları / Метрические резьбовые винты

Code	Type	Box Content	Gross Weight
SCW 53	M6 x 50 YSB VIDA	2.500	22,00
SCW 54	M6 x 60 YSB VIDA	1.500	18,45
SCW 55	M5 x 40 YHB VIDA	4.000	20,52
SCW 56	M5 x 45 YHB VIDA	3.500	20,13
SCW 56	M5 x 50 YHB VIDA	3.000	18,95

Code	Type	Box Content	Gross Weight
SCW 57	M5 x 70 YHB VIDA	2.000	15,47
SCW 58	M5 x 80 YHB VIDA	2.500	24,84
SCW 59	M5 x 90 YHB VIDA	1.000	11,16

*Special measures manufacturing is welcome for appropriate amount of orders (we kindly ask you to contact us for the required amount per size)

*Uygun sipariş adeti doğrultusunda özel ölçü imalatı mümkündür



Concrete Screws

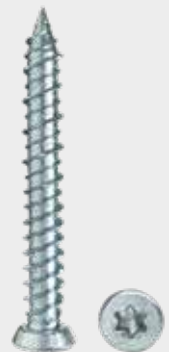
Duvar montaj vidaları / Бетонные винты

Code	Type	Box Content	Gross Weight
SCW 60	7,5 x 60	2.000	27,50
SCW 61	7,5 x 80	1.500	23,32
SCW 62	7,5 x 92	1.000	17,15
SCW 63	7,5 x 100	1.000	19,37
SCW 64	7,5 x 112	1.000	20,33
SCW 65	7,5 x 120	1.000	24,50
SCW 66	7,5 x 132	800	19,27

Code	Type	Box Content	Gross Weight
SCW 67	7,5 x 150	800	14,13
SCW 68	7,5 x 180	500	15,55
SCW 69	7,5 x 200	400	15,85
SCW 70	7,5 x 220	300	13,00

*Special measures manufacturing is welcome for appropriate amount of orders (we kindly ask you to contact us for the required amount per size)

*Uygun sipariş adeti doğrultusunda özel ölçü imalatı mümkündür



Drywall Screws Bugle Head Fine Tread - Sharp Point

Alçıpan sivri uçlu vidaları / Винты для гипсокартона

Code	Type	Box Content	Gross Weight
SCW 95	3,5 x 25 SIVRI	15.000	20,35
SCW 96	3,5 x 35 SIVRI	10.000	17,50
SCW 97	3,5 x 45 SIVRI	6.000	18,08



Drywall Screws Bugle Head Fine Tread Self Drilling Screws

Alçıpan matkap uçlu vidaları / Само-резы

Code	Type	Box Content	Gross Weight
SCW 98	3,5 x 25 MUV	12.000	17,32
SCW 99	3,5 x 35 MUV	8.000	16,08
SCW 100	3,5 x 45 MUV	6.000	14,5



Self Drilling Screws Flat Head

YHB Matkap uçlu vidaları / Само-резы

Code	Type	Box Content	Gross Weight
SCW 70	3,9 x 13 YHB	15.000	14,50
SCW 71	3,9 x 16 YHB	15.000	17,20
SCW 72	3,9 x 19 YHB	15.000	20,05
SCW 73	3,9 x 22 YHB	12.000	18,40
SCW 74	3,9 x 25 YHB	11.000	18,88
SCW 75	3,9 x 32 YHB	10.000	21,60
SCW 76	3,9 x 38 YHB	8.000	20,32
SCW 77	4,2 x 19 YHB	15.000	22,90
SCW 78	4,2 x 22 YHB	10.000	17,70
SCW 79	4,2 x 25 YHB	10.000	18,90
SCW 80	4,2 x 32 YHB	8.000	19,44
SCW 81	4,2 x 38 YHB	6.000	17,14
SCW 82	4,2 x 45 YHB	5.000	16,80

Code	Type	Box Content	Gross Weight
SCW 83	4,2 x 50 YHB	5.000	18,40
SCW 84	4,8 x 19 YHB	8.000	16,90
SCW 85	4,8 x 22 YHB	8.000	19,00
SCW 86	4,8 x 25 YHB	5.000	13,35
SCW 87	4,8 x 32 YHB	5.000	16,30
SCW 88	4,8 x 38 YHB	5.000	16,29
SCW 89	4,8 x 45 YHB	5.000	19,30
SCW 90	4,8 x 50 YHB	4.000	20,16
SCW 91	4,8 x 60 YHB	3.000	17,95
SCW 92	4,8 x 70 YHB	2.000	13,98
SCW 93	4,8 x 80 YHB	1.500	11,82
SCW 94	4,8 x 100 YHB	1.200	11,38



Self Drilling Screws Pan Head

YSB matkap uçlu vidaları / Само-резы с плоской головкой

Code	Type	Box Content	Gross Weight
SCW 101	3,9 x 13 YSB	15.000	18,70
SCW 102	3,9 x 16 YSB	15.000	21,40
SCW 103	3,9 x 19 YSB	15.000	24,10
SCW 104	3,9 x 22 YSB	13.000	23,41
SCW 105	4,8 x 16 YSB	10.000	24,10
SCW 106	4,8 x 19 YSB	8.000	22,00
SCW 107	4,8 x 25 YSB	6.000	19,30

Code	Type	Box Content	Gross Weight
SCW 108	4,8 x 32 YSB	5.000	19,30
SCW 109	4,8 x 38 YSB	5.000	22,20
SCW 110	4,8 x 50 YSB	3.000	16,85
SCW 111	4,8 x 60 YSB	3.000	19,54
SCW 112	4,8 x 70 YSB	2.000	14,84
SCW 113	4,8 x 80 YSB	1.500	12,69
SCW 114	4,8 x 100 YSB	1.200	11,38



Self Drilling Screws Oval Flat Head

Oval kafa matkap uçlu vidaları / Само-резы

Code	Type	Box Content	Gross Weight
SCW 115	3,9 x 16 OVAL KAFA	15.000	17,20
SCW 116	3,9 x 19 OVAL KAFA	15.000	20,05
SCW 117	4,2/3,5 x 19 OVAL	15.000	18,65
SCW 118	4,2/3,5 x 25 OVAL	10.000	15,60
SCW 119	4,2/3,5 x 32 OVAL	10.000	19,44
SCW 120	4,2/3,5 x 38 OVAL	10.000	22,31
SCW 121	4,8(4,2) x 32 K.K. YHB	5.000	16,45
SCW 122	4,8(4,2) x 45 K.K. YHB	5.000	17,88

Code	Type	Box Content	Gross Weight
SCW 123	3,9 x 16 OVAL KAFA	15.000	17,20
SCW 124	3,9 x 19 OVAL KAFA	15.000	20,05
SCW 125	4,2/3,5 x 19 OVAL	15.000	18,65
SCW 126	4,2/3,5 x 25 OVAL	10.000	15,60
SCW 127	4,2/3,5 x 32 OVAL	10.000	19,44
SCW 128	4,2/3,5 x 38 OVAL	10.000	22,31
SCW 129	4,8(4,2) x 32 K.K. YHB	5.000	16,45
SCW 130	4,8(4,2) x 45 K.K. YHB	5.000	17,88

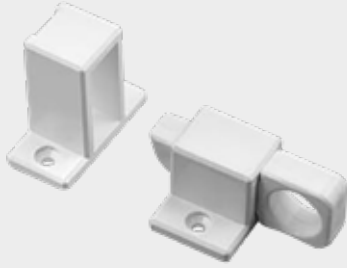


Plastic Latch

Plastik çarpma / Пластиковая защелка / عصفور

Product code : VSM 03

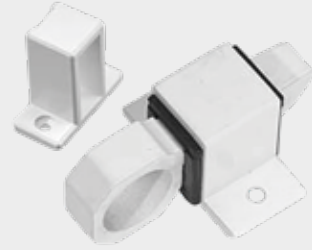
• Quatity : 300 Pcs

**Aluminium Latch**

Alüminyum çarpma / Алюминиевая защелка / عصفور

Product code : VSM 04

• Quatity : 200 Pcs

**Lock With Security System**

Emniyet kilidi / Блокировка с системой безопасности

Product code : EGK 01

• Quatity : 60 Pcs

**Lock With Security System**

Emniyet kilidi / Блокировка с системой безопасности

Product code : EGK 02

• Quatity : 50 Pcs

**Lock With Security System**

Emniyet kilidi / Блокировка с системой безопасности

Product code : EGK 03

• Quatity : 150 Pcs

**Lock With Security System**

Emniyet kilidi / Блокировка с системой безопасности

Product code : EGK 04

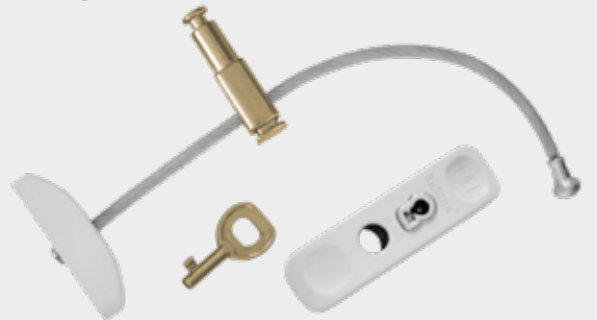
• Quatity : 150 Pcs

**Security Lock With Steel Rope**

Çelik halatlı emniyet mandalı / Защитная защелка со стальным тросом / قفل أمان بحبل الفولاذي

Product code : EGK 05

• Quatity : 100 Pcs





FALCON
window systems

EN

EN

INSULATION FILLERS and ADHESIVES

- Isolation, adhesives, sealant
- Heat Glass Materials
- Glass Spacer Bars
- Various Accessories

TR

İZOLASYON, DOLGU ve YAPIŞTIRICILAR

- İzolasyon, Dolgu, Yapıştırıcılar
- Isı Cam Malzemeleri
- Isı Cam Çıtaları
- Çeşitli Aksesuarlar

FR

FILLERS ET ADHÉSIFS ISOLANTS

- Silicone Mastick
- Barres D'espacement en Verre
- Intercalaire Pour Oouble Vitrage
- Autres Accessoires

RU

ИЗОЛЯЦИОННЫЕ НАПОЛНИТЕЛИ И КЛЕИ

- Изоляция, Наполнители, Клеи
- Тепловые Стеклянные Материалы
- Стеклодержатели
- Различные Аксессуары

AR

حشوات العزل والمواد اللاصقة

- العزلة ، والمواد اللاصقة ، تسرب
- اكرليك مصتيك
- مواد زجاجية مزدوجة
- ملحقات مختلفة

Acrylic Sealant

Akrilik mastikler / Акриловый герметик

Item Description

ABC 100 Acrylic Extra 500 gr

ABC 112 Ultra Light Sealant 310 ml

ABC 115 Indicator Pink Sealant 310 ml

ABC 116 Tile Grout Sealant 310 ml

ABC 117 Ready To Repair Putty 310 ml

ABC 150 Premium Siliconized Sealant 500 gr

ABC 200 Premium Siliconized Sealant 500 gr

ABC 300 Extra Siliconized Sealant 500 gr

ABC 300 Extra Siliconized Sealant 400 ml Sausage

ABC 300 Extra Siliconized Sealant 600 ml Sausage

ABC 344 Duct Sealant 310 ml

ABC 400 Exterior Siliconized Sealant 310 ml

ABC 500 Performance Acrylic Sealant 310 ml

ABC 500 Performance Acrylic Sealant 400 ml Sausage

ABC 500 Performance Acrylic Sealant 600 ml Sausage

ABC 650 Firestop Acrylic Sealant 310 ml

ABC 1000 Maximum Sealant 310 ml

ABC 1000 Maximum Sealant 400 ml Sausage

ABC 1000 Maximum Sealant 600 ml Sausage



Polyurethane Sealant

Poliüretan mastikler / Полиуретановый герметик

Item Description

ABC 915 Fc Polyurethane Sealants 280 ml Construction

ABC 915 Fc Polyurethane Sealants 600 ml Construction

ABC 920 Polyurethane Sealants 280 ml (Automotive)

ABC 920 Polyurethane Sealants 600 ml (Automotive)

ABC 930 Polyurethane Sealants 280 ml (Windshield)

ABC 930 Polyurethane Sealants 310 ml (Windshield)



Silicones

Silikonlar / Silicone de jointures / Силиконы

Item Description

ABC 222 Balcony System Silicone 280 ml
ABC 600 Contractors Silicone 250 ml (280 gr)
ABC 800 Contractors Silicone 280 ml (300 gr)
ABC 900 Contractors Silicone 310 ml (340 gr)
ABC 750 High Temp. Silicone 310 ml
ABC 777 Shower & Cabinet Silicone 310 ml
ABC 870 Mirror Silicone 310 ml
ABC 990 Aquarium Silicone 310 ml
ABC 945 Mermer Silikonu
ABC 950 Neutral Weatherseal Silicone 310 ml
ABC 950 Neutral Weatherseal Silicone 600 ml Sausage
ABC 950 Structurel Silicone 600 ml Sausage
ABC Tube Silicone Transparent 50 ml
ABC Tube Gasket Silicone 50 ml



Polyurethane Foams

Poliüretan köpükler / Полиуретановые пены / رغوة البولي يوريثان

Item Description

ABC 808 Foam Cleaner 500 ml
ABC 810 Fill&Fix Straw Type Foam 300 ml -300 gr
ABC 815 Fill&Fix Straw Type Foam 500 ml -500 gr
ABC 840 Fill&Fix Straw Type Foam 600 ml -600 gr
ABC 840-B Fill&Fix Straw Type Foam 650 ml -650 gr
ABC 860 Fill&Fix Straw Type Foam 750 ml -850 gr
ABC 860-S Fill&Fix Straw Type Foam 750 ml -750 gr
ABC 880 Fill&Fix Gun Foam Pro 750 ml -850 gr
ABC 880-S Fill&Fix Gun Foam Pro 750 ml -750 gr
ABC 910 Adhesive Foam 750 ml - 850 gr
ABC 940 Door&Window Foam 750 ml - 860 gr
ABC 950 Fill&Fix Mega Gun Foam Pro 850 ml-1000 gr
ABC 970 Fill&Fix Safety Valve Foam 750 ml -850 gr
ABC B1 Fire Rated Foam 750 ml - 850 gr



Adhesives

Yapıştırıcılar / Клеи

Item Description

ABC 330 Strafor Adhesive 310 ml

ABC 333 Liquid Nail - Montage Glue 310 ml

ABC 444 Liquid Nail - Magic Bond All Fix 300 ml

ABC Ms-1 High Tack All Fix 290 ml White

ABC Ms-1 High Tack All Fix 290 ml Clear

ABC 850 Epdm Adhesive 310 ml

ABC 850 Epdm Adhesive 600 ml Sausage

ABC 702 Super Glue 20 gr

ABC Mdf Kit Super Glue 27 gr+100 ml Hardener

ABC Mdf Kit Super Glue 50 gr+200 ml Hardener

ABC Mdf Kit Super Glue 100 gr+400 ml Hardener

ABC Hm 250 Hotmelt Strick Glue Transparent

ABC Marble And Granite Adhesive 0,25 kg

ABC Marble And Granite Adhesive 1 kg

ABC Marble And Granite Adhesive 1,2 kg

ABC 700 Chemical Anchor 345 ml Polyester

ABC 700 Chemical Anchor 410 ml Polyester

ABC 700 Chemical Anchor 345 ml Epoxy

ABC 700 Chemical Anchor 410 ml Epoxy

ABC 300 Marine Glue 500 gr

ABC 350 Parquet Adhesive - 500 gr

ABC W-101 Carpenter Glue D2 - 1 kg

ABC W-101 Carpenter Glue D2 - 3 kg

ABC W-101 Carpenter Glue D2 - 5 kg

ABC W-101 Carpenter Glue D2 - 30 kg

ABC W-101 Carpenter Glue D2 - 60 kg

ABC W-324 Carpenter Glue D3 - 1 kg

ABC W-324 Carpenter Glue D3 - 3 kg

ABC W-324 Carpenter Glue D3 - 5 kg

ABC W-324 Carpenter Glue D3 - 30 kg

ABC W-324 Carpenter Glue D3 - 60 kg



Hybrid Sealants

Hibrit mastikler / Гибридный

Item Description

Abc 2000 Maximum Sealant 310 ml

Abc 2000 Maximum Sealant 400 ml Beyaz

Abc 2000 Maximum Sealant 600 ml Sausage

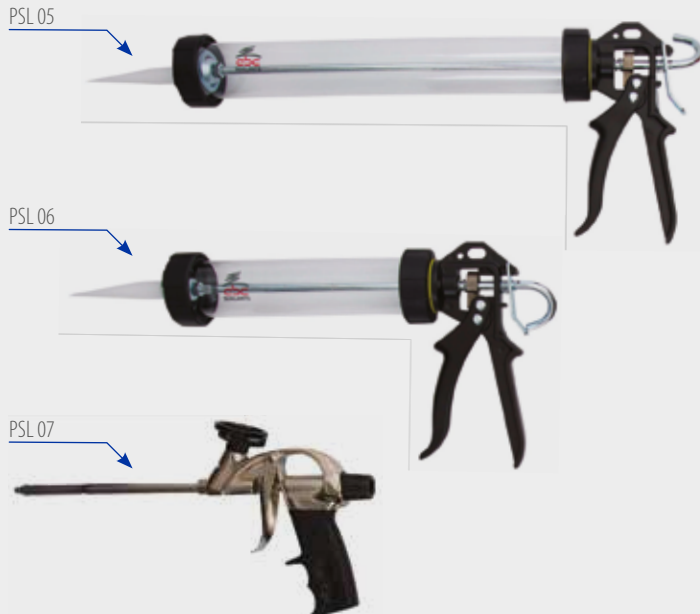
Abc 111 Roof And Gutter Sealant 310 ml



Sealant Gun

Mastik Tabancası / Pistolet de silicone / Пистолет для герметика / مسدس لسيليكون و رغوة البولي يوريثان

Code	Item Description	Quantity
PSL 01	Chemical anchorset 345 ml	12 Pcs
PSL 02	Chemical anchorset 410 ml	12 Pcs
PSL 03	Gun plastic	48 Pcs
PSL 04	Gun metal	15 Pcs
PSL 05	Sousage 600 ml	10 Pcs
PSL 06	Sousage 400 ml	10 Pcs
PSL 07	Foam gun	20 Pcs



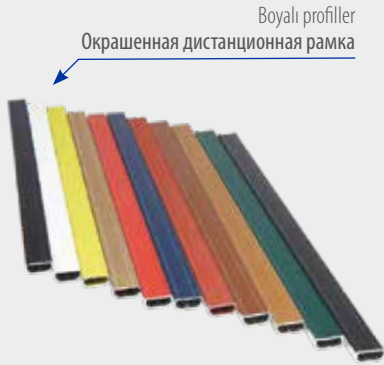
Packing Information of Standart, Bendable, Painted Spacer Bars

Standart - Bükülebilir boyalı profiller ambalaj bilgileri

Intercalaire pour double vitrage

Упаковочные данные для стандартной, гибкой и окрашенной дистанционной рамки

Code	Dimension		Lenght				Pieces / Box
	A (mm)	H (mm)	3.00 (m)	5.00 (m)	5.70 (m)	6.00 (m)	
SPC 01	5,5	6,5	350	2250	2565	2700	450
SPC 02	7,5	6,5	1260	2100	2394	2520	420
SPC 03	8,5	6,5	1140	1900	2166	2280	380
SPC 04	9,5	6,5	1020	1700	1938	2040	340
SPC 05	10,5	6,5	900	1500	1710	1800	300
SPC 06	11,5	6,5	840	1400	1596	1680	280
SPC 07	13,5	6,5	720	1200	1368	1440	240
SPC 08	14,5	6,5	660	1100	1254	1320	220
SPC 09	15,5	6,5	600	1000	1140	1200	200
SPC 10	17,5	6,5	540	900	1026	1080	180
SPC 11	19,5	6,5	480	800	912	960	160
SPC 12	21,5	6,5	420	700	798	840	140
SPC 13	23,5	6,5	420	700	798	840	140



Boyalı profiller
Окрашенная дистанционная рамка



Bendable spacer bars

Packing Information of Butyled Spacer Bars

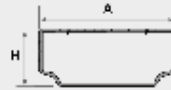
Butilli profiller ambalaj bilgileri

Intercalaire pour double vitrage

Упаковочные данные для бутилированной дистанционной рамки

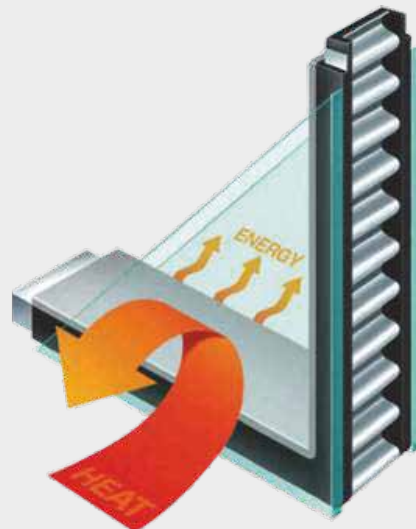
Code	Dimension		Lenght		
	A (mm)	H (mm)	3.00 (m)	5.00 (m)	Pieces / box
SPB 01	5,5	6,5	1500	2500	500
SPB 02	7,5	6,5	1002	1670	334
SPB 03	8,5	6,5	1002	1670	334
SPB 04	9,5	6,5	1002	1670	334
SPB 05	10,5	6,5	1002	1670	334
SPB 06	11,5	6,5	1002	1670	334
SPB 07	13,5	6,5	750	1250	250
SPB 08	14,5	6,5	750	1250	250
SPB 09	15,5	6,5	750	1250	250
SPB 10	17,5	6,5	504	1000	168
SPB 11	19,5	6,5	504	1000	168
SPB 12	21,5	6,5	504	1000	168
SPB 13	23,5	6,5	504	1000	168

Butyled Spacer Bars
Бутилированная дистанционная рамка



FALCONGLASS ISO - Tech (IT) Spacer For Double Glazing

Code	Thickn.	Pack. Metre	Unit	Pack Dimensions
ISO - Tech 08	8 mm	370	Metre	<p>L = 48 cm W = 45 cm H = 48 cm</p>
ISO - Tech 09	9 mm	330	Metre	
ISO - Tech 10	10 mm	300	Metre	
ISO - Tech 12	12 mm	270	Metre	
ISO - Tech 14	14 mm	250	Metre	
ISO - Tech 16	16 mm	220	Metre	
ISO - Tech 18	18 mm		Metre	
ISO - Tech 20	20 mm	175	Metre	
ISO - Tech 24	24 mm		Metre	
Maxi - Tech 06	6 mm	400	Metre	
Maxi - Tech 08	8 mm	370	Metre	
Maxi - Tech 10	10 mm	300	Metre	
Maxi - Tech 12	12 mm	270	Metre	
Maxi - Tech 16	16 mm	200	Metre	
Maxi - Tech 20	20 mm	175	Metre	



Thiokol

Polysulphide / Тиокол

Code	Item Description	KG
TKL 367	A Component	337 Kg
	B Component	30 Kg
TKL 33	A Component	30 Kg
	B Component	3 Kg

What is the Thiokol ?

Thiokol is a special sealing compound for manufacturing insulating glass units. It is a 2 component sealing material which has excellent adhesion to clean surfaces such as glass, aluminium or steel. The mixture made from 1 part B component and 10 part of A component applied all around the insulating glass unit will stop permeability of water and keep the Windows safe for long years.

Thiokol Nedir?

Isı yalıtımı sisteminde, camlar arasında sızdırmazlık/ düşük su buharı geçirgenli / düşük gaz difüzyonu amacıyla kullanılan, A ve B komponent olmak üzere 2 bileşenden oluşan kimyasal malzemedir.

Что такое бутил?

Это соединение двух химических компонентов А и В, используемый в системе теплоизоляции для низкой проходимости газа и водяного пара.



Butyl & Hotmelt Sealant

Butil / Бүтил / البوتيلي

Hotmelt Sealant / الهوت ملت

Code	Item Description	Quantity
BTL 01	Buty	7 Kg
HTL 01	Hotmelt	7 Kg



What is the butyl?

Butyl is a solvent free, one component sealant which is used as primary sealant for manufacturing insulating glass units. It has a very low water permeability, good adhesion to glass, aluminium and steel and has a good ageing resistance.

Butil nedir?

Çift camlarda yalıtım için kullanılan solvent içermeyen tek bileşenli yapıştırıcı özellikli malzemedir.

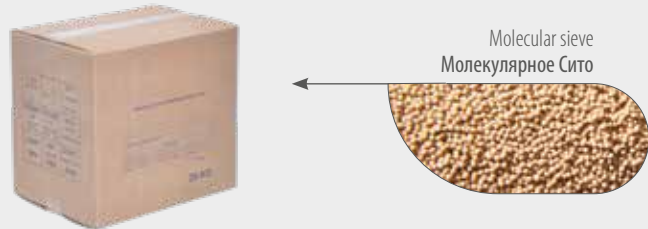
Что такое бутил?

Это однокомпонентный клейкий материал, не содержащий растворитель, используется для изоляции стекол.

Molecular Sieve

Nem alıcı / Silicagel anti humidité / Молекулярное Сито

Code	Item Description	Quantity
SGL 25	Moleclar Sieve	25Kg



What is the Molecular sieve?

These crystals are characterised by a three-dimensional pore system, with pores of precisely defined diameter. This diameter is in the dimension of the size of molecules such as water, CO2 and H2S. The pores can be adjusted to precisely determined uniform openings allowing for molecules smaller than its pore diameter to be adsorbed whilst excluding larger molecules, hence the name "molecular sieve". The different pore sizes of synthetic zeolites open up a wide range of possibilities in terms of "sieving" molecules of different size or shape from gases and liquids.

Nem Alıcı Nedir?

Isı yalıtımı sisteminde, iki cam arasında profil içlerinde, su buharını absorbe etmek amacıyla kullanılan, nemi bünyesinde toplayan kristal, çok gözenekli malzemedir. Bu kristaller kesin tanımlanmış gözenek çapı ile birlikte, üç boyutlu bir gözenek sistemi ile karakterize edilir.

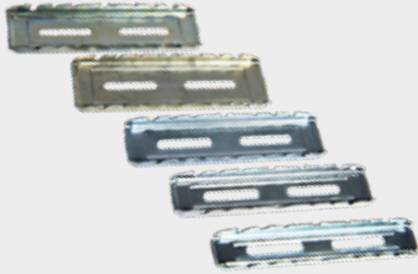
Что такое бутил?

Это высокопористый кристаллический материал, который находится внутри дистанционной рамки. Благодаря своей структуре влагопоглощения используется в системе теплоизоляции. Это кристаллы трехмерной системы пор, которые характеризуются точным определенным диаметром пор.

Metal Connectors For Bendable Spacer Bars

Bükülebilir ara çubuklar için metal konektörler
Металлические соединители для гибких
прокладок / الزاوية المعدنية

Code	Item Description	Quantity
SPM 01	5.5	500
SPM 02	7.5	500
SPM 03	8.5	500
SPM 04	9.5	500
SPM 05	10.5	500
SPM 06	11.5	500
SPM 07	13.5	500
SPM 08	14.5	500
SPM 09	15.5	500
SPM 10	17.5	500
SPM 11	19.5	500
SPM 12	21.5	500
SPM 13	23.5	500



Plastic Connectors For Bendable Spacer Bars

Bükülebilir ayırıcı çubuklar için plastik konektörler
Пластиковые соединители для гибких
разделительных стержней / الزاوية البلاستيك

Code	Item Description	Quantity
SPP 01	5.5	500
SPP 02	7.5	500
SPP 03	8.5	500
SPP 04	9.5	500
SPP 05	10.5	500
SPP 06	11.5	500
SPP 07	13.5	500
SPP 08	14.5	500
SPP 09	15.5	500
SPP 10	17.5	500
SPP 11	19.5	500
SPP 12	21.5	500
SPP 13	23.5	500



Plastic Connectors For Spacer Bars

Plastik ısıcam çita konektörler
Пластиковые соединители для гибких
разделительных стержней / الزاوية البلاستيك

Code	Item Description	Quantity
SPP 14	5.5	500
SPP 15	7.5	500
SPP 16	8.5	500
SPP 17	9.5	500
SPP 18	10.5	500
SPP 19	11.5	500
SPP 20	13.5	500
SPP 21	14.5	500
SPP 22	15.5	500
SPP 23	17.5	500
SPP 24	19.5	500
SPP 25	21.5	500
SPP 26	23.5	500



Connectors For Standart Spacer Bars

Standart aralama çubukları için konektörler
Соединители для стандартных
сборных стержней

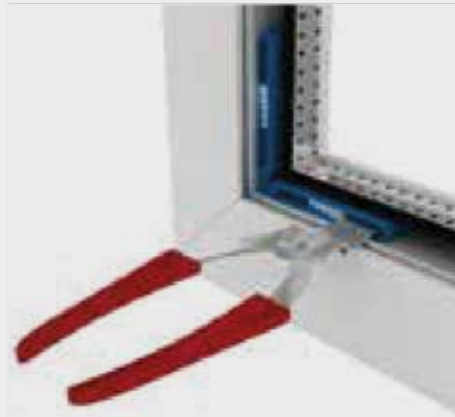
Code	Item Description	Quantity
SSM 01	5.5	500
SSM 02	7.5	500
SSM 03	8.5	500
SSM 04	9.5	500
SSM 05	10.5	500
SSM 06	11.5	500
SSM 07	13.5	500
SSM 08	14.5	500
SSM 09	15.5	500
SSM 10	17.5	500
SSM 11	19.5	500
SSM 12	21.5	500
SSM 13	23.5	500



Glass Pliers

Cam pensesi

Code	Item Description	Quantity
GPS 01	Glass pliers	50



Adjustable Glass Supports

Ayarlı cam takozu / Регулируемые опоры

Code	Item Description	Quantity
ACT 01	USS 18mm	500
ACT 02	USS 24mm	400
ACT 03	USS 28mm	300
ACT 04	USS 32mm	300



Glass Supports

Cam takozları / Calles pour double vitrage / Стеклодержатели

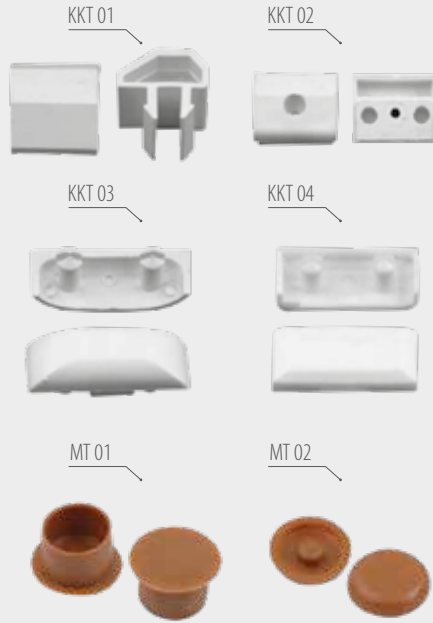
Code	Item Description	Quantity
CTZ 01	5x28x80 Large Glass Wedge Thick	1000 Pcs
CTZ 02	3x28x80 Large Glass Wedge Thick	1000 Pcs
CTZ 03	2x28x80 Large Glass Wedge Thick	1000 Pcs
CTZ 04	5x25x80 - 6000 Glass Wedge Thin	1000 Pcs
CTZ 05	2x25x80 - 6000 Glass Wedge Thin	1000 Pcs
CTZ 06	5x20x80 - Glass Wedge Thick	1000 Pcs
CTZ 07	2x20x80 - Glass Wedge Thick	1000 Pcs
CTZ 08	5x25x80 - Glass Wedge - Thick (Easy Bent)	1000 Pcs
CTZ 09	3x20x80 - Glass Wedge - Medium (Easy Bent)	1000 Pcs
CTZ 10	5x20x100 Glass Wedge Thick	1000 Pcs
CTZ 11	5x28x100 Glass Wedge With Canal	1000 Pcs
CTZ 12	Sofline Glass Wedge	1000 Pcs
CTZ 13	Glass Wedge Thick 8x4	3000 Pcs
CTZ 14	Single Wedge Thin 8x2	3000 Pcs
CTZ 15	Glass Wedge - Little 35x2	1000 Pcs
CTZ 16	Glass Wedge - Tiny 25x2	1000 Pcs



Corner Clips and Plugs

رافع ضلفة و غطاء تفریغ الماء

Code	Item Description	Quantity
KKT 01	Sash lifting support	1000
KKT 02	Sash lifting support with screws	1000
KKT 03	Drainage outlet cover - General	1000
KKT 04	ABS Drainage outlet cover	1000
MT 01	Mounting plus	1000
MT 02	Mounting plus BULDEX	1000
PD 01	Plastic duwel	1000



Glass Shovel

مجرفة لرفع الزجاج / Isı cam kaldırma küreği

Code	Item Description	Quantity
SHL 01	Glass shovel	50



Colour Edging Pen

القلم تصحيح اللون

Code	Item Description	Quantity
PEN 01	Color edging pen	10

Color Option

Ral	9016	8003	8017	1019	7016	8022	9005





FALCON
window systems

MACHINE

EN

MACHINE

- Automatic profile cutting machine with under feeding saw
- Automatic lath cutting machine
- Automatic Triple drilling + copy router + water draining
- Automatic sengle corner cleaning machine
- Automatic single corner welding machine (Clay)
- Automatic and milling machine with one blade set
- Automatic double head cutting top touch screen
- Automatic double corner wellding machine touch screen (Clay)
- Hot press machine
- Glass cleaning, argon, hotmelt and air compressor

TR

MAKİNA

- Otomatik alttan çıkma kesim makinası
- Otomatik çita kesim makinası
- Otomatik 3'lü kol freze su tahliye makinası
- Otomatik köşe temizleme makinası K4 kek motor
- Otomatik tek köşe kıl kaynak kaynak makinası
- Otomatik orta kayıt alıştırma makinası tek seri
- Otomatik alından gelme çift kafa kesim makinası dokunmatik ekran
- Full otomatik çift kafa kıl kaynak Makinası dokunmatik panel
- Polikarbonat ısıcam çtasi press makinası
- Cam yıkama, argon, hotmelt ve kompresörler

RU

MACHINES

- Автоматический станок для резки профилей с подающей пилой
- Автоматический станок для резки планки
- Автоматический тройной сверлильный +копировальный +вода-отводящий
- Автоматический односторонний станок для чистки углов
- Автоматический односторонний сварочный станок
- Автоматический и фрезерный станок с одним комплектом клинков
- Автоматическая двухсторонняя резка, верхний сенсорный экран
- Автоматический двойной угловой станок, сенсорный э экран
- Машина горячего прессования
- Очистка стекла, аргонем,
- горячий расплав и воздушный компрессор

AR

ماكينة

- ماكينة قص بمنشار يخرج من الأسفل أوتوماتيكية
- ماكينة قص بمنشار قضبان زجاجية
- آلة تقريز ناسخة ثلاثية للنسخ وثقب فتحة الماء لإطارات
- ماكينة تنظيف أسطح وزوايا البيفيسي أوتوماتيكية
- ماكينة لحام تلقائية أوتوماتيكية برأس واحدة
- ماكينة تقريز وطحن أوتوماتيكية
- ماكينة القص برأس مزدوجة بقطر يبلغ 450 ملم - مزودة بشاشة عرض رقمية
- ماكينة لحام البيفيسي أوتوماتيكية ذات مواصفات قياسية برأس مزدوجة بشاشة عرض رقمية
- ماكينة المكبس أوتوماتيكية أفران الزجاج تستخدم في عملية معالجة الثاني
- ماكينة غسل الزجاج
- ماكينة ملئ غاز الأرجون
- ماكينة الهوت ملت
- الكمبيوتر وسورات الترددية مرحله الضغط الثنائي

Automatic Double Corner Welding Machine Touch Screen (Clay)

Full otomatik çift kafa kıl kaynak makinası dokunmatik panel

Автоматический сварочный станок для двухугольных профилей из пвх (тонкий сварка)

Product code : BPM G2 M1

It is designed to make double welding corners of PVC profiles. Temperature profiles for different types of sources allows to time and pressure settings automatically displayed on the screen temperature of heating plate. It has a heating unit thermostatic control. (PID) Right-source acts on the moving head linear bearings. Moving right on the head is automatically secured with air. Fully automated control. Maximum welding strength. One side at 90° Welds are available. Single-head separately working. (Optional) Resources made profiles maximum length of 3200 mm. High compression piston have a single facility. Armrests for long profiles are available. 0.2 mm has the ability to thin supply. is possible to view the amount of resources made daily on the screen BATI PEN MACHINERY is equipped with either specific design. Full safety with its CE certified components

Teknik Bilgiler	Technical Data	Техническая информация	
Ağırlık	Weight	Вес	500 kg
Uzunluk	Length	Длина	4200 mm
Genişlik	Width	Ширина	700 mm
Boy	Clan	Высота	1500 mm
Toplam Güç	Total Power	Мощность	2x2.1 Kw
Voltaaj	Voltage	Напряжение	220 V AC 50 Hz
Kaynak Açısı	Welding Angle	Угол Сварки	90
Hava Basıncı	Air Pressure	Давление воздуха	6 Bar
Hava Tüketimi	Air Consumption	Расход воздуха	60 lt / dk
Kontrol Sistemi	Kontrol System	Контроль	Microcomputer
Maks. Prof Yüksekliği	Max.Prof.Height	Макс.Высота Проф.	140 mm



Automatic Double Head Cutting Top Touch Screen

Otomatik alından gelme çift kafa kesim makinası dokunmatik ekran

Двухголовочный станок для резки профиля из пвх выдвигающейся пилой в перед (сенсорный компьютер)

مكنة اوتوماتيك لقص بروفيل برأسين مع شاشة باللمس

Product code : BPM G2 M8

Of PVC and aluminum profile 45° -90° it is designed for double-sided precision cutting and intermediate degrees. ts 45° - 90° to be controlled manually. (45° - 90° is done automatically) The control system with touch panel. Saw diameter 450 mm, respectively. It is possible to run a single head or dual-head. Moving provide digital motion with the right head gear motors. Entering desired dimensions allows the panel to digital positioning. 20 is capable of storing measurement. Viewing the pieces cut daily on the screen. Left head is fixed right head moving. Cutting feed speed can be adjusted. Safety valve with pneumatic cutting system automatically runs. Long profiles are available gauge system between head. BATI PEN MACHINE is equipped with either specific design. Completely safe against accidents. Note: the touch panel: There Calculator and notepad. Full safety with its CE certified components

Teknik Bilgiler	Technical Data	Техническая информация	
Voltaaj	Voltage	Напряжение	380 V ac 50Hz
Toplam Güç	Total Power	Мощность	2x2.2 Kw
Hava Basıncı	Air Pressure	Давление воздуха	6 - 8 Bar
Hava Tüketimi	Air Consumption	Расход воздуха	82 lt / min
Testere Çapı	Saw Diameter	Диаметр пилы	450 mm x 2
Maks.Prof.Yüksekliği	Max.Prof.Height	Макс.Высота Проф.	140 mm
Maks.Prof.Genişliği	Max.Prof.Width	Макс.Ширина Проф.	140 mm
Uzunluk	Length	Длина	4300 mm
Genişlik	Width	Ширина	1500 mm
Boy	Clan	Высота	1500 mm
Ağırlık	Weight	Вес	795 kg
Söhpä Uzunluđu	Table Length	Ролганьгами	2 mt + 1 mt
Kontrol Sistemi	Kontrol System	Контроль	Microcomputer



Automatic Single Corner Welding Machine (Clay)

Otomatik tek köşe kil kaynak makinası

Одноголовочный сварочный станок (ТОНЬКАЯ СВАРКА)

مكنة لحام زاوية واحدة اوتوماتيك

Product code : BPM G1 M7

Welding operations on the corners of PVC profiles with specific angles Adjustable welding temperature and clamping pressure for different PVC profiles Instant display of heater plate temperature Adjustable the welding angles from 30 to 180 Working under the control of Microcomputer System which provides more efficient operations PVC profiles do not need corner cleaning after this operation because of thin welding operation in this kind of machines 0,2 mm Full safety with its CE certified components

Teknik Bilgiler	Technical Data	Техническая информация	
Ağırlık	Weight	Вес	145 kg
Uzunluk	Length	Длина	630 mm
Genişlik	Width	Ширина	700 mm
Boy	Clan	Высота	1400 mm
Toplam Güç	Total Power	Мощность	2.1 Kw
Voltaj	Voltage	Напряжение	220 V - 50 Hz
Kaynak Açısı	Welding Angle	Угол Сварки	25 -180
Hava Basıncı	Air Pressure	Давление воздуха	6 Bar
Hava Tüketimi	Air Consumption	Расход воздуха	41 lt / min
Kontrol Sistem	Kontrol System	Контроль	Microcomputer



Automatic Single Corner Welding Machine (Clay Economic)

Otomatik tek köşe kil kaynak makinası (ekonomik)

Одноголовочный сварочный станок (Тонкая сварка экономической)

مكنة لحام زاوية واحدة اوتوماتيك الف-المجال الاقتصادي

Product code : BPM G1 M9

Welding operations on the corners of PVC profiles with specific angles Adjustable welding temperature and clamping pressure for different PVC profiles Instant display of heater plate temperature Adjustable the welding angles from 30 to 180 Working under the control of Microcomputer System which provides more efficient operations PVC profiles do not need corner cleaning after this operation because of thin welding operation in this kind of machines 0,2 mm Full safety with its CE certified components.

Teknik Bilgiler	Technical Data	Техническая информация	
Ağırlık	Weight	Вес	105 kg
Uzunluk	Length	Длина	630 mm
Genişlik	Width	Ширина	700 mm
Boy	Clan	Высота	1400 mm
Toplam Güç	Total Power	Мощность	2.1 Kw
Voltaj	Voltage	Напряжение	220 V - 50 Hz
Kaynak Açısı	Welding Angle	Угол Сварки	25 -180
Hava Basıncı	Air Pressure	Давление воздуха	6 Bar
Hava Tüketimi	Air Consumption	Расход воздуха	41 lt / min
Kontrol Sistem	Kontrol System	Контроль	Microcomputer



Automatic Profile Cutting Machine With Under Feeding Saw

Otomatik alttan çıkma kesim makinası

Пила для резки пвх профиля с нижней подачей пильного диска

مكنة قص بروفييل او توماتيك

Product code : BPM G1 M3

Cutting operations of PVC & Aluminium profiles on specific angles Cutting operations of plastic materials
Adjustable feed rate for the saw Pneumatic clamping system 45 - 90 - 45 cutting range of degrees
Supplied with carbide tipped 450 mm saw blade 22,5-0 TO 22.5 can cut between angles
Full safety with its CE certified components

Teknik Bilgiler	Technical Data	Техническая информация	
Ağırlık	Weight	Вес	107 kg
Uzunluk	Length	Длина	750 mm
Genişlik	Width	Ширина	650 mm
Boy	Çan	Высота	1200 mm
Toplam Güç	Total Power	Мощность	1,5 Kw
Voltaj	voltage	Напряжение	380 V / 220 Vac 50Hz
Devir Dakika	Age Instant	Оборот	3000 d / d
Hava Basıncı	Air Pressure	Давление воздуха	6 Bar
Hava Tüketimi	Air Consumption	Расход воздуха	12 lt / min
Kontrol Sistem	Kontrol System	Контроль	Electropneumatic



Automatic Lath Cutting Machine

Otomatik çita kesim makinası

Автоматический станок для резки штапика

مكنة قص لاقط زجاج او توماتيك

Product code : BPM G1 M2

Cutting glazing beads at 45 For a stable and precise cutting, horizontal feed rate can be adjustable
Pneumatic clamping system Including 4 saw in 2 different size (2x200, 2x125)
Two way working saws makes efficiency of time and energy
Full safety with its CE certified components

Teknik Bilgiler	Technical Data	Техническая информация	
Ağırlık	Weight	Вес	113 kg
Uzunluk	Length	Длина	1250 mm
Genişlik	Width	Ширина	550 mm
Boy	Çan	Высота	1150 mm
Toplam Güç	Total Power	Мощность	2x0.75 Kw
Frekans	Frequency	Частота	50 Hz
Devir Dakika	Age instant	Оборот	3000 d / d
Voltaj	Voltage	Напряжение	380 V / 220 vAc 50Hz
Hava Basıncı	Air Pressure	Давление воздуха	6 - 8 Bar
Hava Tüketimi	Air Consumption	Расход воздуха	12 lt / min
Sehpa Uzunluğu	Table Length	Рабочими	1 x 2 mt
Kontrol Sistem	Kontrol System	Контроль	Electropneumatic



Top Cutting Machine 350 MM

350'Lik kesim makinası

Станок для резки 350 MM

Product code : BPM 350

PVC and Aluminum profiles are produced circle saw machine for cutting flat and graded. 15°, 22,5°, 30°, 45°, 90° search for other degrees of angle made by the silence in the free areas. Manual system. Cutting action is manual. 2 Piece horizontal manual clamp. Saw protection. Carbide toothed saw 350 mm. Machine stand Conveyor stand and foot stand Full safety with its CE certified components

Teknik Bilgiler	Technical Data	Техническая информация	
Ağırlık	Weight	Вес	110 kg
Uzunluk	Length	Длина	700 mm
Genişlik	Width	Ширина	700 mm
Boy	Clan	Высота	1400 mm
Toplam Güç	Total Power	Мощность	2,2 Kw
Voltaj	Voltage	Напряжение	380 V / 220 Vac 50Hz
Devir Dakika	Age Instant	Оборот	3000 d / d
Hava Basıncı	Air Pressure	Давление воздуха	6 Bar
Hava Tüketimi	Air Consumption	Расход воздуха	12 lt / min
Kontrol Sistem	Kontrol System	Контроль	Electropneumatic



400 Cutting Machines

400'Lük kesim makinası

Станок для резки 400 мм

Product code : BPM 400

PVC and Aluminum profiles are produced circle saw machine for cutting flat and graded. 15°, 22,5°, 30°, 45°, 90° search for other degrees of angle made by the silence in the free areas. Manual system. Cutting action is manual. 1 Piece horizontal manual clamp. Saw protection. Carbide toothed saw 400mm. Machine stand Conveyor stand and foot stand Full safety with its CE certified components

Teknik Bilgiler	Technical Data	Техническая информация	
Ağırlık	Weight	Вес	110 kg
Uzunluk	Length	Длина	700 mm
Genişlik	Width	Ширина	700 mm
Boy	Clan	Высота	1400 mm
Toplam Güç	Total Power	Мощность	2,2 Kw
Voltaj	Voltage	Напряжение	380 V / 220 Vac 50Hz
Devir Dakika	Age Instant	Оборот	3000 d / d
Hava Basıncı	Air Pressure	Давление воздуха	6 Bar
Hava Tüketimi	Air Consumption	Расход воздуха	12 lt / min
Kontrol Sistem	Kontrol System	Контроль	Electropneumatic



Automatic End Milling Machine With One Blade Set

Otomatik orta kayıt alıştırma makinası tek seri

Автоматический станок для Обработки импоста (1-фреза)

مكنة اوتوماتيك لقص زاوية القائم الوسطي (سكين واحد)

Product code : BPM G1 M4

Endmilling on PVC or aluminium profiles

Graduation for endmilling automatically

Pneumatic clamping system

Full safety with ise CE certified components

Teknik Bilgiler	Technical Data	Техническая информация	
Ağırlık	Weight	Вес	82 kg
Uzunluk	Length	Длина	500 mm
Genişlik	Width	Ширина	750 mm
Boy	Clan	Высота	1100 mm
Toplam Güç	Total Power	Мощность	1.1 Kw
Voltaj	Voltage	Напряжение	380 V / 220 vAC 50Hz
Hava Basıncı	Air Pressure	Давление воздуха	6 - 8 Bar
Hava Tüketimi	Air Consumption	Расход воздуха	9 lt / min
Kontrol Sistemi	Kontrol System	Контроль	Electropneumatic



Automatic End Milling Machine Double Blade Set

Otomatik orta kayıt alıştırma makinası çift seri

Автоматический станок для Обработки импоста (1-фреза)

مكنة اوتوماتيك لقص زاوية القائم الوسطي (سكين واحد)

Product code : BPM G2 M4

Endmilling on PVC or aluminium profiles

Graduation for endmilling automatically

Pneumatic clamping system

Full safety with ise CE certified components

Teknik Bilgiler	Technical Data	Техническая информация	
Ağırlık	Weight	Вес	82 kg
Uzunluk	Length	Длина	500 mm
Genişlik	Width	Ширина	750 mm
Boy	Clan	Высота	1100 mm
Toplam Güç	Total Power	Мощность	1.1 Kw
Voltaj	Voltage	Напряжение	380 V / 220 vAC 50Hz
Hava Basıncı	Air Pressure	Давление воздуха	6 - 8 Bar
Hava Tüketimi	Air Consumption	Расход воздуха	9 lt / min
Kontrol Sistemi	Kontrol System	Контроль	Electropneumatic



Automatic Triple Drilling + Copy Router + Water Draining

Otomatik 3'lü kol freze su tahliye makinası

Универсальный копировально-фрезерный станок с возможностью фрезерования водоотводящих каналов

مكنة اوتوماتيك لفتح ثقب ذراع الباب و تفريغ المياه

Product code : BPM G1 M5

3 spindle router for looks, hinks, door handles and drain slots with different angles Copy head works on vertical axis and triple drilling works on the horizontal axis Includes universal template and it allows you make your own template Pneumatic clamping system It is the one of the most usefull machine in this sector. Because it makes the job of 3 machines.

Full safety with its CE certified components.

Teknik Bilgiler	Technical Data	Техническая информация	
Ağırlık	Weight	Вес	95 kg
Uzunluk	Length	Длина	900 mm
Genişlik	Width	Ширина	600 mm
Boy	Clan	Высота	1500 mm
Toplam Güç	Total Power	Мощность	2.2 Kw
Voltaaj	Voltage	Напряжение	380 V / 220 vAC 50Hz
Hava Basıncı	Air Pressure	Давление воздуха	6 - 8 Bar
Hava Tüketimi	Air Consumption	Расход воздуха	9 lt / min
Kontrol Sistem	Kontrol System	Контроль	Electropneumatic



Triple Arm Herz Motor Aluminum

3'Lü kol herz motorlu alüminyum

Трейл арм герц мотор Алюминиевый

Product code : BPM G2 M5

3 spindle router for looks, hinks, door handles and drain slots with different angles Copy head works on vertical axis. Includes universal template and it allows you make your own template Pneumatic clamping system

Full safety with its CE certified components.

Teknik Bilgiler	Technical Data	Техническая информация	
Ağırlık	Weight	Вес	65 kg
Uzunluk	Length	Длина	600 mm
Genişlik	Width	Ширина	700 mm
Boy	Clan	Высота	1360 mm
Toplam Güç	Total Power	Мощность	18.000 d/dk
Voltaaj	Voltage	Напряжение	220 vAC 50Hz
Hava Basıncı	Air Pressure	Давление воздуха	6 Bar
Hava Tüketimi	Air Consumption	Расход воздуха	60 lt / min
Kontrol Sistem	Kontrol System	Контроль	Microcomputer



Automatic Triple Drilling + Copy Router Machine

Otomatik 3'lü kol freze

Универсальный копировально-фрезерный станок с возможностью фрезерования водоотводящих каналов

مكنة اوتوماتيك لفتح ثقوب ذراع الباب و تفريغ المياه

Product code : BPM G2 M6

3 spindle router for looks, hinks, door handles and drain slots with different angles Copy head works on vertical axis and triple drilling works on the horizontal axis Includes universal template and it allows you make your own template Pneumatic clamping system Full safety with its CE certified components.

Teknik Bilgiler	Technical Data	Техническая информация	
Voltaj:	Voltage	Стандартное напряжение:	380 V / 220 vAC 50hz
Toplam Güç	Total Power	Суммарная мощность	500 watt + 1,5 kw
Hava Basıncı	Air Pressure	Давление воздуха	6 bar
Hava Tüketim	Air Consumption	Потребление воздуха	6 lt/min
Genişlik	Width	Ширина машины	600 mm
Uzunluk	Length	Длина машины	900 mm
Yükseklik	Clan	Высота машины	1500 mm
Ağırlık	Weight	Вес машины	85 kg



Automatic Single Corner Cleaning Machine

Otomatik köşe temizleme makinası k 4 tek motor

Авт.Станок для зачистки углов профилей из пвх с одним двигателем (к 4)фрез

مكنة اوتوماتيك لتنظيف الزاوية لتنظيف الزاوية بمحرك واحد

Product code : BPM G1 M6

Used for corner cleaning of PVC profiles after welding. Cleans the bottom, upper and outer surfaces of corners synchronic with 3 different blades Can separate corner and surface cleaning steps af a cycle. Pneumatic clamping system Working under the control of Microcomputer. System which provides more efficient operations Full safety with its CE certified components.

Teknik Bilgiler	Technical Data	Техническая информация	
Ağırlık	Weight	Вес	200 kg
Uzunluk	Length	Длина	980 mm
Genişlik	Width	Ширина	700 mm
Boy	Clan	Высота	1450 mm
Toplam Güç	Total Power	Мощность	1,1 Kw
Voltaj	Voltage	Напряжение	380 V / 220 vAC 50Hz
Hava Basıncı	Air Pressure	Давление воздуха	6 Bar
Hava Tüketimi	Air Consumption	Расход воздуха	60 lt / min
Biçak Kalınlığı	Blade Axle	Ось Фрезы	32 mm
Devir Dakika	Age Instant	Оборот	3000 d / d
Kontrol Sistem	Kontrol System	Контроль	Microcomputer



Portable Copy Router Machine

Portatif kopya freze makinası

Портативный копировально-фрезерный станок

Product code : BM M1

PVC profile, locks, hinges and is designed to open holes Machine 1 (Metabo) is the engine Copies head runs vertical axis With the universal template provides a simple process Pneumatic clamping system Sizes of portable Machine aluminum blades and aluminum can be by adding Lubrication system Batıpen machin, is equipped with unique designs Full safety withy its CE certified components

Teknik Bilgiler	Technical Data	Техническая информация	
Voltađ	Voltage	Стандартное напряжение	220 v ac 50hz
Toplam Güç	Total Power	Суммарная мощность	18.000 d/dk
Hava Basıncı	Air Pressure	Давление воздуха	5 bar
Hava Tüketim	Air Consumption	Потребление воздуха	2 lt/min
Geniřlik	Width	Ширина машины	550 mm
Uzunluk	Length	Длина машины	550 mm
Yükseklik	Clan	Высота машины	550 mm
Ağırlık	Weight	Вес машины	25 kg



Portable End Milling Machine

Portatif orta kayırt alıřtırma makinası

Портативный пневматический станок для торцевания импоста

Product code : BM M2

PVC and aluminum profiles, designed to accustom to without problem Machine works manual and pneumatic system Machine one team blade can be fitted to Progress makes manual and pneumatic system Pneumatic clamping There are motor powered support shaft Light weight and portable Full safety withy its CE certified components

Teknik Bilgiler	Technical Data	Техническая информация	
Voltađ	Voltage	Стандартное напряжение	220 v ac 50hz
Toplam Güç	Total Power	Суммарная мощность	1,1 kw
Hava Basıncı	Air Pressure	Давление воздуха	6 bar
Hava Tüketim	Air Consumption	Потребление воздуха	2 lt/min
Geniřlik	Width	Ширина машины	360 mm
Uzunluk	Length	Длина машины	650 mm
Yükseklik	Clan	Высота машины	450 mm
Ağırlık	Weight	Вес машины	32 kg



Portable Cutting 400

Portatif 400'lük kesim makinası

Портативная резка 400

Product code : BPM M4

PVC and Aluminum profiles are produced circle saw machine for cutting flat and graded.

15°, 22,5°, 30°, 45°, 90° search for other degrees of angle made by the silence in the free areas.

Portable, manual system. Cutting action is manual. 1 Piece horizontal manual clamp. Saw protection.

Carbide toothed saw 400mm. Machine stand (optional). Conveyor stand and foot stand (optional).

Full safety withy its CE certified components

Teknik Bilgiler	Technical Data	Техническая информация	
Voltaj	Voltage	Напряжение	380 V / 220 vAC 50Hz
Frekans	Frequency	Частота	50/60 Hz
Motor Gücü	Engine Power	Мощность двигателя	2,2 kw
Motor Devri	Engine Speed	Частота вращения двигателя	3000 dev/dk
Kesme Kapasitesi	Cutting Capacity	Режущая способность	135 mm x 200 mm
Testere Bağl. Kapasitesi	Saw Binding Capacity	Типа связывающую способность	D-350/400mm d-30/32
Makinenin Ağırlığı	Net Weight of the Machine	Вес машины	73 Kg
Makinenin Yüksekliği	Machine Height	Высота машины	570 mm
Makinenin Uzunluğu	Machine Length	Длина машины	700 mm
Makinenin Geniğiği	Machine Width	Ширина машины	700 mm
Ambalaj (Kutu)	Packaging (Box)	упаковка (коробка)	H 64 cm x L 66 cm x W 63 cm



Portable Cutting 350

Portatif 350'lik kesim makinası

Портативная резка 350

Product code : BM M3

PVC and Aluminum profiles are produced circle saw machine for cutting flat and graded.

15°, 22,5°, 30°, 45°, 90° search for other degrees of angle made by the silence in the free areas.

Portable, manual system. Cutting action is manual. 1 Piece horizontal manual clamp.

Saw protection. Carbide toothed saw 350 mm. Machine stand (optional).

Conveyor stand and foot stand (optional).

Full safety withy its CE certified components

Teknik Bilgiler	Technical Data	Техническая информация	
Voltaj	Voltage	Напряжение	380 V / 220 vAC 50Hz
Frekans	Frequency	Частота	50/60 Hz
Motor Gücü	Engine Power	Мощность двигателя	2,2 kw
Motor Devri	Engine Speed	Частота вращения двигателя	3000 dev/dk
Kesme Kapasitesi	Cutting Capacity	Режущая способность	135 mm x 200 mm
Testere Bağl. Kapasitesi	Saw Binding Capacity	Типа связывающую способность	D-350/400mm d-30/32
Makinenin Ağırlığı	Net Weight of the Machine	Вес машины	70 Kg
Makinenin Yüksekliği	Machine Height	Высота машины	570 mm
Makinenin Uzunluğu	Machine Length	Длина машины	700 mm
Makinenin Geniğiği	Machine Width	Ширина машины	700 mm
Ambalaj (Kutu)	Packaging (Box)	упаковка (коробка)	H 64 cm x L 66 cm x W 63 cm



Portable Single Corner Cleaning Machine

Portatif köşe temizleme makinası

Авт.Станок для зачистки углов профилей из пвх с одним двигателем (к 4)фрез

ماكينة اوتوماتيك لتنظيف الزاوية لتنظيف الزاوية بمحرك واحد

Product code : BM M6

Used for corner cleaning of PVC profiles after welding. Cleans the bottom, upper and outer surfaces of corners synchronic with 3 different blades Can separate corner and surface cleaning steps af a cycle. Pneumatic clamping system Working under the control of Microcomputer. System which provides more efficient operations Full safety with its CE certified components.

Teknik Bilgiler	Technical Data	Техническая информация	
Voltaj :	Voltage	Стандартное напряжение	220 v ac 50hz
Toplam Güç	Total Power	Суммарная мощность :	1,1 kw
Hava Basıncı:	Air Pressure	Давление воздуха	6 bar
Hava Tüketim	Air Consumption	Потребление воздуха	8 lt/min.
Genişlik	Width	Ширина машины	500 mm
Uzunluk	Length	Длина машины	750 mm
Yükseklik	Clan	Высота машины	700 mm
Ağırlık:	Weight	Вес машины	78 kg



2 Axis Cnc Corner Cleaning Machine

2 Eksen cnc köşe temizleme makinası (Bütün yüzeyler)

Product code : CN 180

High speed and precision controlled by 2-axis servo motors. White and color profile processing and the ability to choose a separate tool Precise profile processing with 11 different tools Movable and ergonomic control panel Errors and alarms can be seen on the screen Profiles can be saved in different sizes Full safety with its CE certified components

Teknik Bilgiler	Technical Data	
Gerilim/ Frekans	Voltage / Frequency	380V / 50-60 HZ
Toplam Güç	Total Power	3,1 kW
Hava Basıncı:	Air Pressure	6-8 bar
Hava Tüketim	Air Consumption	94 l / DK
Max Profil Yüksekliği	Max Profile Height	100 mm
Max Profil Genişliği	Max Profile Width	170 mm
Makina Uzunluğu	Machine Width	1900 mm
Makina Genişliği	Machine Length	1200 mm
Makina Yüksekliği	Machine Height	2000 mm
Makina Ağırlığı	Machine Weight	1000 kg
Kontrol Sistemi	Control System	Microcomputer
Testere Çapı	Saw Diameter	250 mm
Min. Çerçeve İç Diği	Min. Frame Inner Size	400 x 400



2 Axis Cnc Corner Cleaning Machine

2 Eksen cnc köşe temizleme makinası

Product code : CN 170

High speed and precision controlled by 2-axis servo motors White and color profile processing and the ability to choose a separate tool Precise profile processing with 5 different tools Movable and ergonomic control panel Errors and alarms can be seen on the screen Profiles can be saved in different sizes Full safety with its CE certified components



Teknik Bilgiler	Technical Data	
Gerilim/ Frekans	Voltage / Frequency	380V / 50-60 HZ
Toplam Güç	Total Power	2,5 kW
Hava Basıncı	Air Pressure	6-8 bar
Hava Tüketimi	Air Consumption	94 l / DK
Max Profil Yüksekliği	Max Profile Height	100 mm
Max Profil Geniliği	Max Profile Width	170 mm
Makina Uzunluğu	Machine Length	1380 mm
Makina Geniliği	Machine Width	730 mm
Makina Yüksekliği	Machine Height	1830 mm
Makina Ağırlığı	Machine Weight	300 kg
Kontrol Sistemi	Control System	HMI
Testere Çapı	Saw Diameter	250 mm
Min. Çerçeve İç Ölçü	Min. Frame Inner Size	400 x 400

Automatic Conveyor

Otomatik Konveyör

Product code : MT 3000

7 " HMI ile rahat kontrol edilebilir İstenilen ölçüye otomatik olarak giden dijital dayama sistemi sayesinde hassas kesim yapabilir Lineer rulman teknolojisi sayesinde yüksek hızda pozisyonlama Parça numarası , uzunluk ölçüleri ve adetler kontrol paneli üzerinden programlanabilir Ölçüm sistemine ait konveyör yüksekliğini , entegre çalışacağı Makinaya göre ayarlayabilme belgeli parçaları ile kazalara karşı tam emniyetli

Teknik Bilgiler	Technical Data	
Elektrik Değeri	Voltage / Frequency	220V
Motor Gücü	Total Power	0,75 kW
Max Profil Yüksekliği	Max Profile Height	3000 mm
Max Profil Geniliği	Max Profile Width	200 mm
Makina Yüksekliği	Machine Width	800 - 1.000 mm ayarlanabilir
Makina Uzunluğu	Machine Length	3000 mm
Makina Geniliği	Machine Width	300 mm
Makina Ağırlığı	Machine Weight	80 kg



Hot Press Machine

Polikarbonat ısıcam çıtası press makinası / Presse pour double vitrage

ماكينة المكبس أوتو ماتنيكية أفران الزجاج تستخدم في عملية معالجة الثاني

Product code : **PR - 180**

	Glass preparation table	Extension group	Hot press machine	Exit & Measure table
Pressing distance (Min - Max)			0 - 50 mm	
Length	2200 mm	540 mm	1410 mm	880 mm
Width	1800 mm	2200 mm	2200mm	2200 mm
Height	826 mm	816 mm	1200 mm	750 mm
Voltage	220 v	-----	320 v	-----
Frequency	50 - 60 Hz	-----	50 - 60 Hz	-----
Power			17 Kw (summer) 34 Kw (Winter)	
Air pressure	6 bar (1800m ³ /h)	-----	6 bar (1800m ³ /h)	-----
Weight	270 kg	175 kg	750 kg	100 kg

Product code : **PR - 130**

Glass preparation table	Hot press machine
	0 - 50 mm
1800 mm	1200 mm
1700 mm	1700 mm
820 mm	1200 mm
220 v	220 - 380 v
50 - 60 Hz	50 - 60 Hz
0.6 Kw	10 Kw
6 bar (1800m ³ /h)	6 bar (1800m ³ /h)
220 Kg	550 Kg



PR - ECO Hot Press Machine

Polikarbonat ısıcam çıtası press makinası / Economique press machine

PR-ECO Машина для горячего прессования / ماكينة المكبس نصف اوتو ماتنيكي أفران الزجاج تستخدم في عملية معالجة الثاني

Product code : **PR - ECO**

	Glass preparation table	Hot press machine
Pressing distance (Min - Max)		10 mm - 50 mm
Length	2200 mm	685 mm
Width	2100 mm	349 mm
Height	826 mm	375 mm
Voltage	220 v	220 v
Frequency	50 - 60 Hz	50 - 60 Hz
Power	17 Kw (summer)	1,4 Kw
Air pressure	6 bar (1800m ³ /h)	-----
Weight	190 kg	80 kg



Spacer Application Device

Polikarbonat ısıcam çıtası uygulama aparatı / Guide de Spacer

Оборудование для нанесения поликарбоната / المكبس تطبيق يدوي

Product code : **MNTA 001**



Laveuse 170 CM a 4 Brosses

Cam yıkama makinesi / Laveuse de vitre 4 brosses
Станок для очистки стекла / مكاتينة غسل الزجاج

Product code : **CYM - 130**

	1300 mm - 4 Brushes
İşlenebilir cam ölçüleri	Min : 250 x 350
workable Glass Measurements	Max : 1300 x 3000mm
Width	1000 mm
Length	5000 mm
Height	2000 mm
Weight	800kg
Voltage	380 ≈ 400v 3NPE AC
Frequency	50 Hz
Power	6,5 Kw

CYM - 170

	17 00 mm - 4 Brushes
	Min : 250 x 350
	Max : 1700 x 3000mm
	1000 mm
	5000 mm
	2400 mm
	1000kg
	380 ≈ 400v 3NPE AC
	50 Hz
	6,5 Kw



Gaz Argon Machine

Otomatik argon dolum makinesi / Machine d injection de gaze
Автоматическая оборудование для наполнения аргон / ماكينة ملئ غاز الأرجون

Product code : **GZA 001**

Width	400 mm
Length	1030 mm
Height	730 mm
Weight	80 kg
Voltage	220 ≈ 380v 3 NPE AC
Frequency	50 Hz



Extruder HotMelt Machine

Hotmelt extruder / Machine de hotmelt
Экструдер с горячей расплавом / ماكينة الهوت ملت

Product code : **HM 001**

Material tank capacity	50 kg
Width	900 mm
Length	900 mm
Height	1445 mm
Weight	300 kg
Voltage	400v 3NPE
Frequency	50 - 60 Hz
Power	6 Kw



Cast Iron Pump Two Stage Air Compressors

Döküm kafalı çift kademeli kompresörler / Compresseur
Двухступенчатый Поршневой компрессор / الكمبروسورات التردديه مرحله الضغط الثنائيه

Product code	Pump	Tank	Pressure	Air Dipl.	RPM
PT50/500 - 7.5	PT50	500	12 bar	650	973
PT100/500 - 10	PT100	500	12 bar	1000	739

Power Hp	Kw	Volt/Hz	Phase	Dimensions	Weight
7,5	5,5	400/50	3	2030*680*1400	238
10.0	7,5	400/50	3	2030*680*1400	291



LIBYA

BELHAJ GROUP

Coastal Road

opposite Gzeer Mosque

Misurata-Libya

+218 91 51 70 50

Email:

info@belhajgroup.com

www.falconprofil.com



/falconprofil



/falconprofile



@falconprofil

Kocatepe Mah. 1. Sk. No:18
Bayrampaşa / İstanbul / TÜRKİYE
+90 212 649 5900
+90 212 649 5946
info@falconprofil.com
www.falconprofil.com